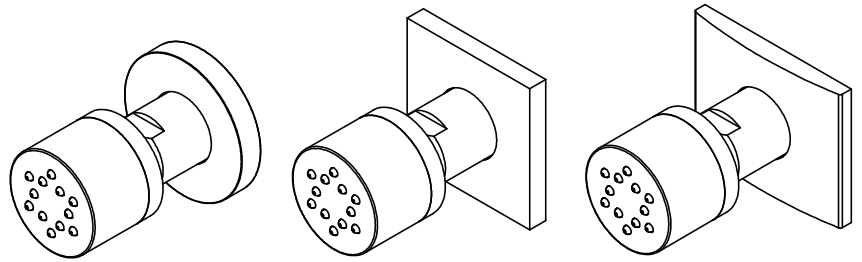




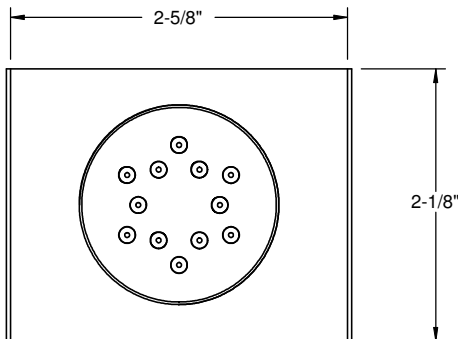
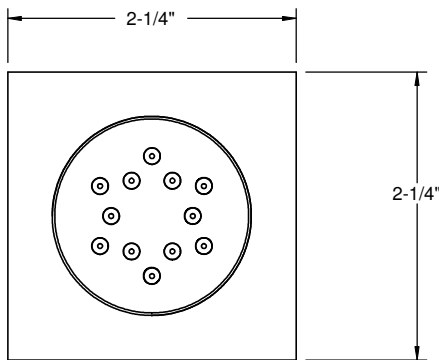
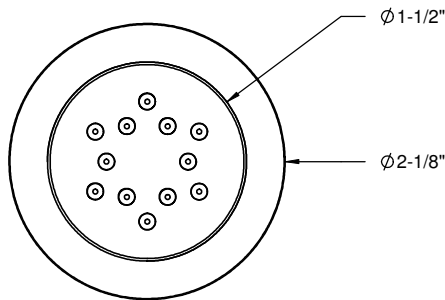
Features

- Over 30 finishes including 11 PVD finishes
- All solid brass construction
- Swivel head
- Self-Cleaning rubber spray jets
- Adjustable wall flange to accommodate varying wall thickness
- 1/2" NPT (female) inlet connection
- 2.5 gpm (8.3 L/m), lower flow rates available upon request

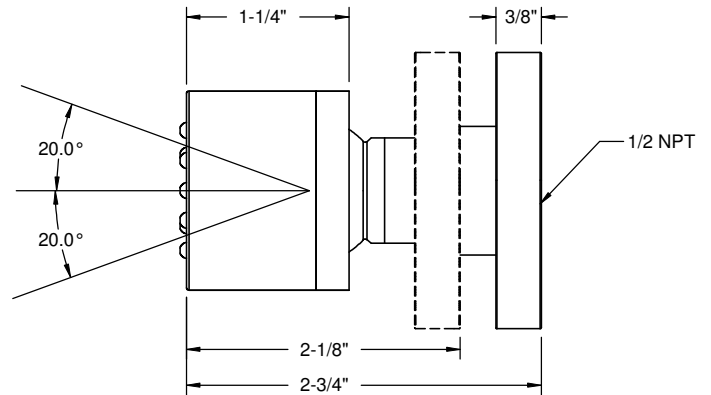


Codes/Standards Applicable

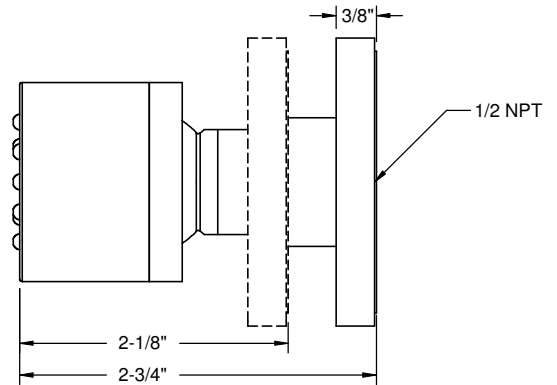
- Specified model meets or exceeds the following:
- ASME A112.18.2-2005/CSA B125.2-05



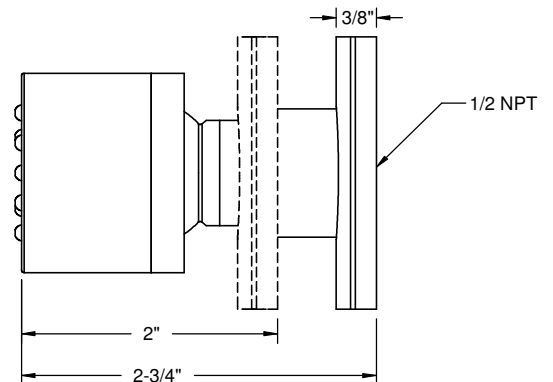
RB-02C



RBC-02C



RBR-02C



Dimensions Shown to Nearest 1/16"