



California Faucets®

CORSANO™

PREP KITCHEN FAUCET

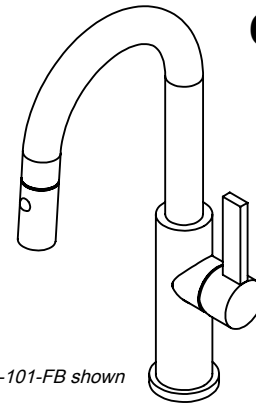
Features

- Solid brass construction
- High-arc 360° rotating spout allows for easy filling of large pot and cleaning
- Magnetic docking secures sprayhead into spout
- One button brass sprayhead has dual function aerated or spray mode
- Spray jets have easy-to-clean surface that withstands mineral build-up
- Quiet polymer-braided hose with rotating joint at sprayhead allows for smooth and non-binding use
- Ceramic disc cartridge
- 1.8 gpm (6.8 L/min) max flow rate
- Over 30 finishes including 15 PVD finishes

Codes/Standards Applicable

Meets or exceeds the following at date of manufacture:

- ASME A112.18.1/CSA B125.1
- NSF 61 and NSF 372



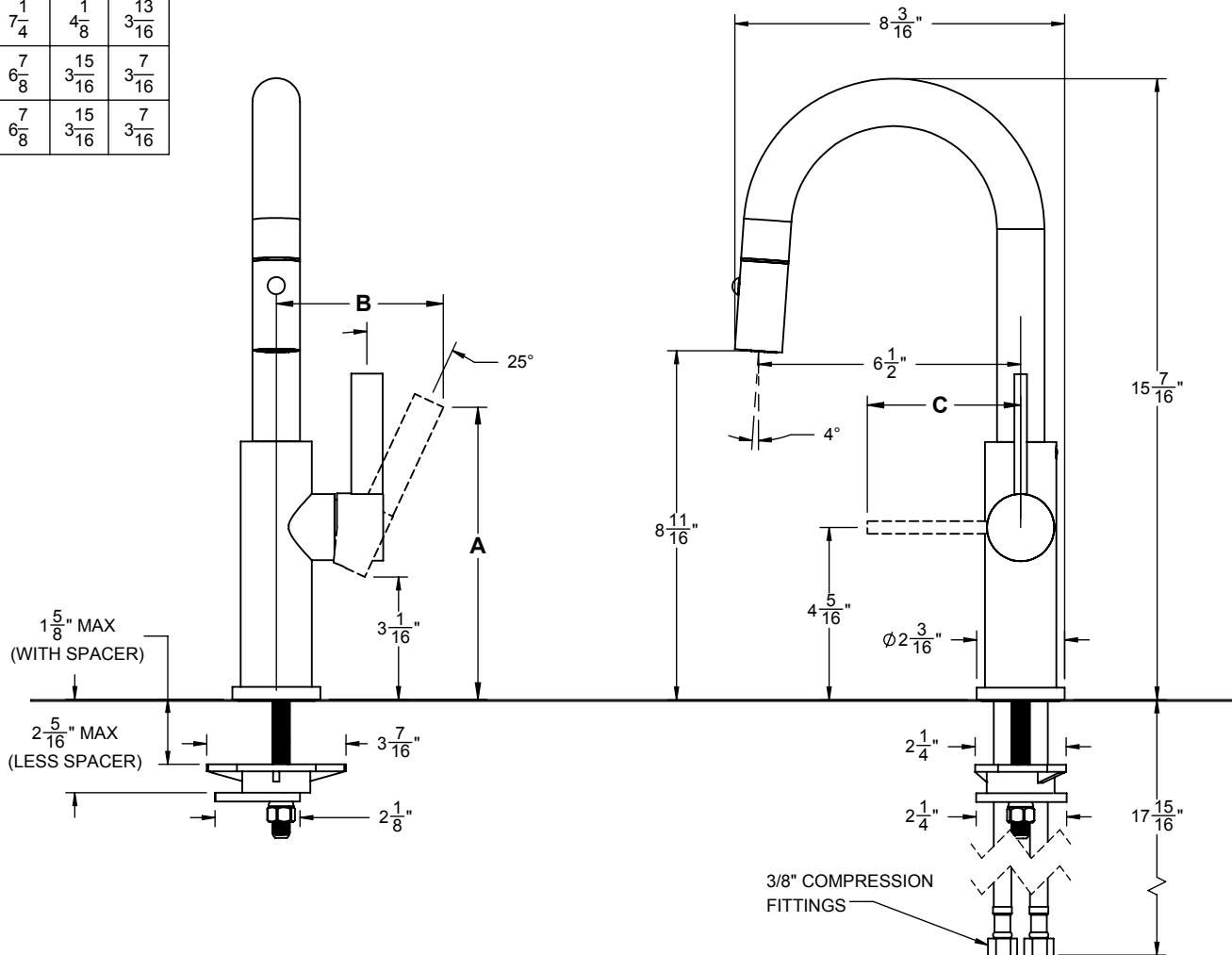
CF-K51-101-XX

CF-K51-101-FB shown

XX = DENOTES HANDLE STYLE

DIMENSIONS (in.)			
XX HANDLE	A	B	C
FB	$\frac{1}{4}$	$\frac{1}{4}$	$\frac{13}{16}$
BFB	$\frac{1}{4}$	$\frac{1}{4}$	$\frac{13}{16}$
ST	$\frac{7}{8}$	$\frac{15}{16}$	$\frac{7}{16}$
BST	$\frac{7}{8}$	$\frac{15}{16}$	$\frac{7}{16}$

THROUGH-HOLE SPECIFICATIONS		
MIN	RECOMENDED	MAX
ϕ 1-1/4"	ϕ 1-3/8"	ϕ 1-3/8"



ALL DIMENSIONS SHOWN TO NEAREST 1/16"