



California Faucets®

Handshower

2-3/4" TRADITIONAL

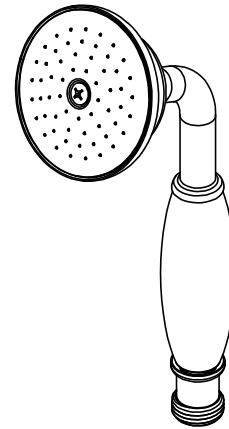
Features

- 1/2" MIP inlet
- Brass construction
- Smooth brass handle insert
- 2-3/4" diameter face
- Replace .FR with desired max flow rate:
HS-13M.25 for 2.5 gpm
HS-13M.20 for 2.0 gpm

Codes/Standards

Product meets or exceeds the following:

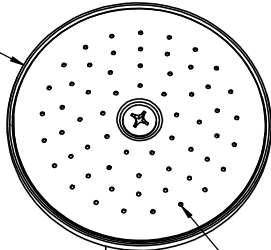
- ASME A112.18.1/CSA B125.1
- CEC (2.0 gpm)



HS-13M.25
HS-13M.20
HS-13M
WE-HS-13M



Ø2-3/4"



60 JETS

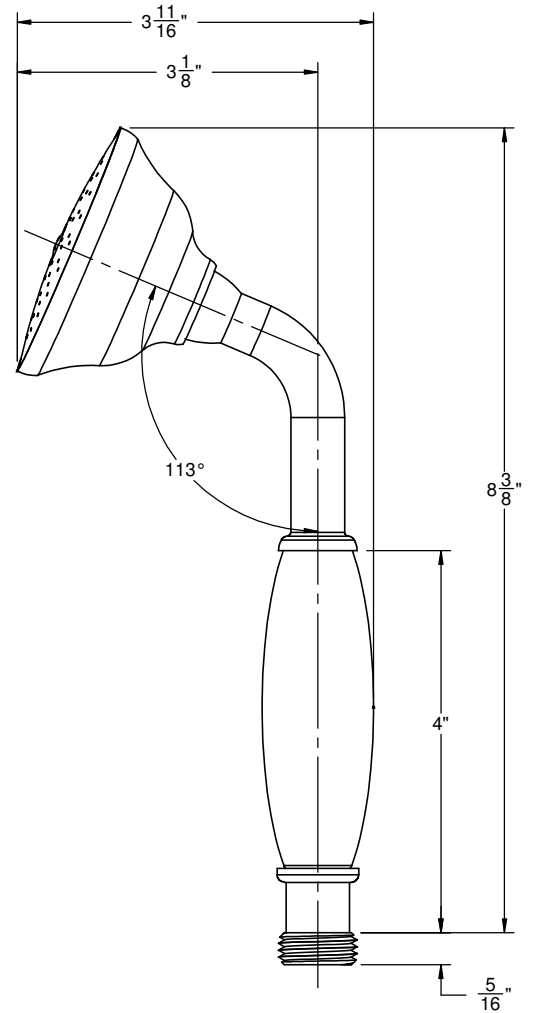
Ø1 1/8"

1/2" NPSM

Ø1 1/8"

METAL (BRASS) INSERT

PORCELAIN INSERT



ALL DIMENSIONS SHOWN TO NEAREST 1/16"