



California Faucets®

CF-9620-K10, CF-9620-K50, & CF-9620-K80 Kitchen Cold Water Dispenser Installation Instructions

CALIFORNIA FAUCETS RECOMMENDS THAT ALL PLUMBING PRODUCTS BE INSTALLED BY A LICENSED PROFESSIONAL

IMPORTANT: Read all instructions prior to installation and provide copy of instructions to consumer.

Operating Specifications:

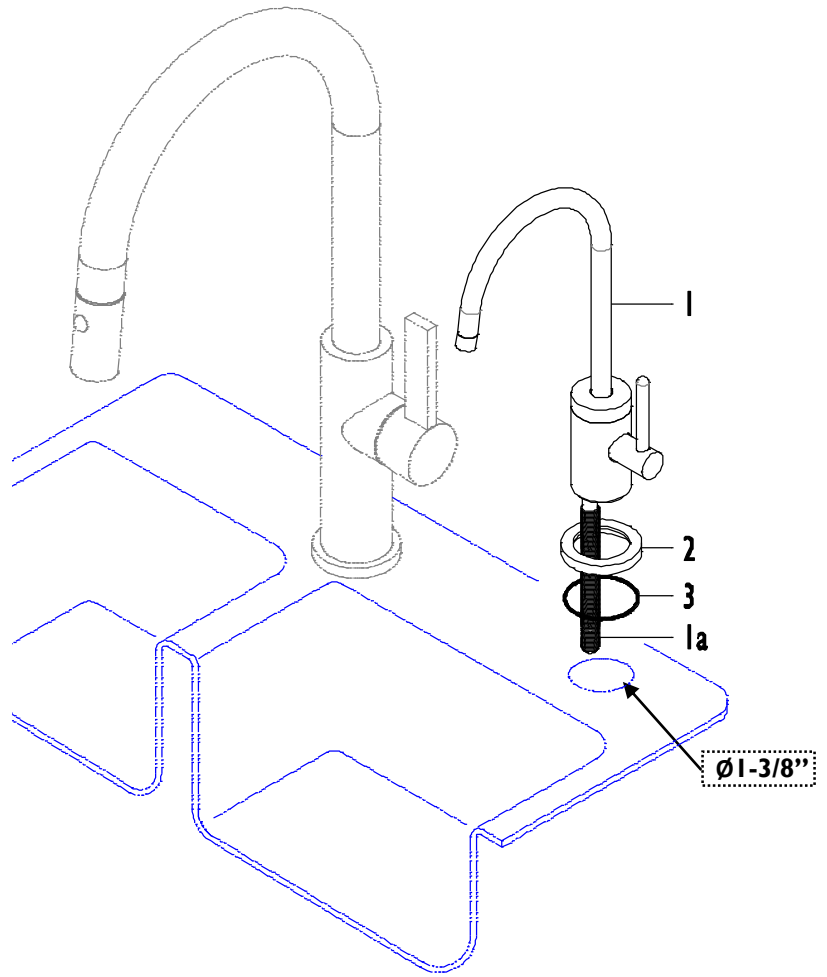
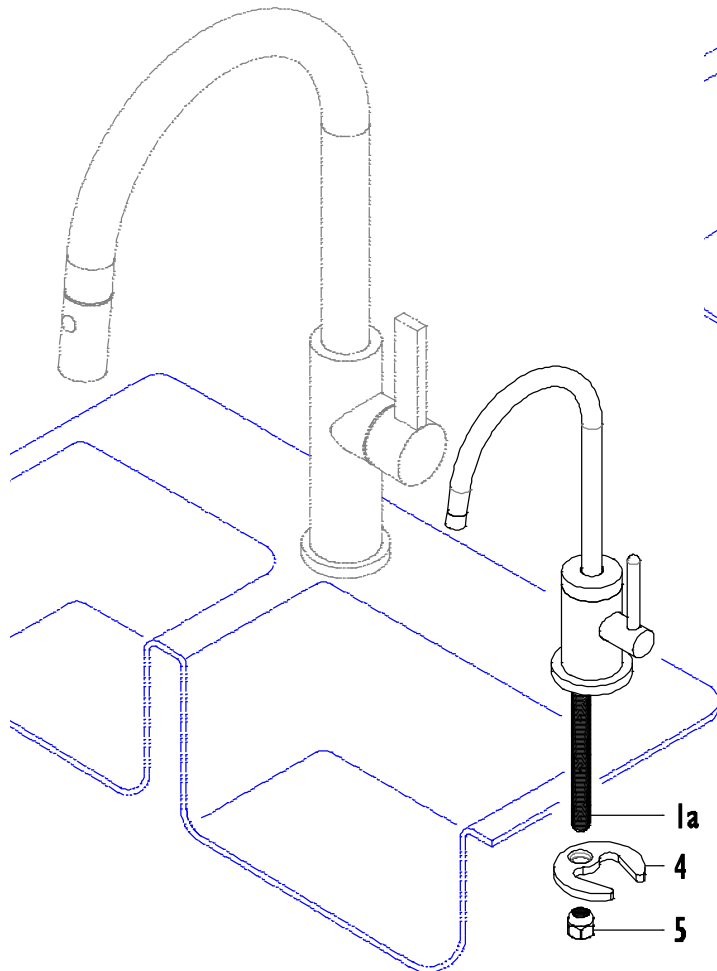
Recommended Supply Pressure: 20 to 70 psi†

† If water pressure exceeds 70 psi, install a Pressure-Reducing Valve (RPV).

I INSTALLING TO SINK/DECK

Important: The recommended sink/deck through-hole shall be $\varnothing 1\text{-}3/8"$. Maximum sink/deck thickness should no greater than 3-3/4"

- Place BASE (2) with O-RING (3) onto BODY (1)
Slide SHANK (1a)
- From underside slide MOUNT (4) and NUT (5)
onto SHANK (1a); loosely tighten NUT (5)
- From topside position BODY (1) with handle on
right side as shown and from underside securely
tighten NUT (5)



WATER CONNECTIONS

- Place ¼" compression NUT (7) and SLEEVE (6) onto filter supply LINE (8)
- Securely tighten ¼" compression NUT (7) onto SHANK (1a)
- Turn water supply on at filter unit and rotate HANDLE (9) forward to rinse water through FAUCET (1)
- Check for leaks and adjust as necessary

