



California Faucets®

# StyleDrain®

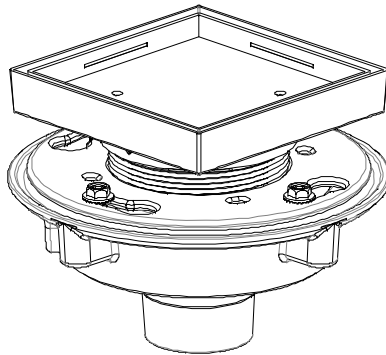
9190, 9190-3, 9190-IP-2, 9190-IP-3,  
9190-ABS & 9190-PVC

StyleDrain® Tile™  
(patent pending)

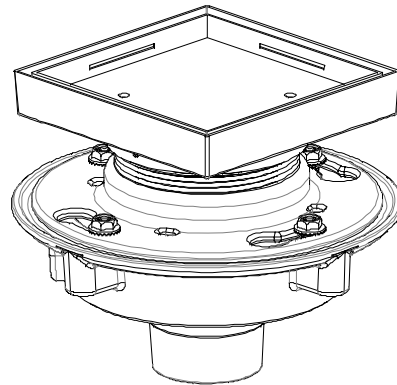
## Installation Instructions

CALIFORNIA FAUCETS RECOMMENDS THAT ALL PLUMBING PRODUCTS BE INSTALLED  
BY A LICENSED PROFESSIONAL

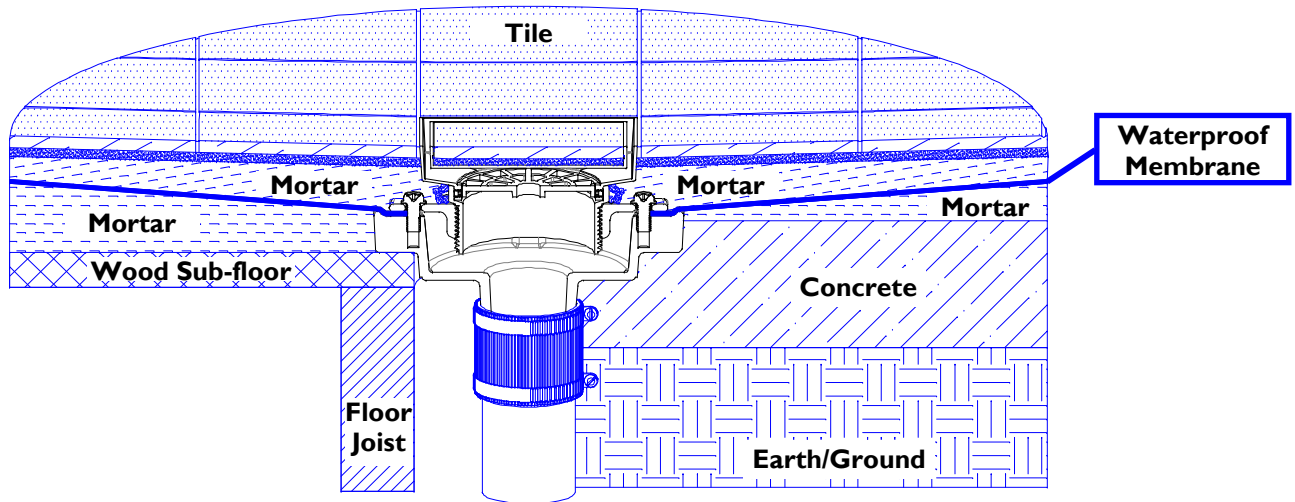
**IMPORTANT:** Read all instructions prior to installation and provide copy of instructions to consumer. This installation instructions sheet is a guide for installing StyleDrain® Tile™, all local building and plumbing codes as well as manufactures waterproofing material **MUST** be followed to achieve proper installation and meet all code requirements



Collar Down



Collar Up



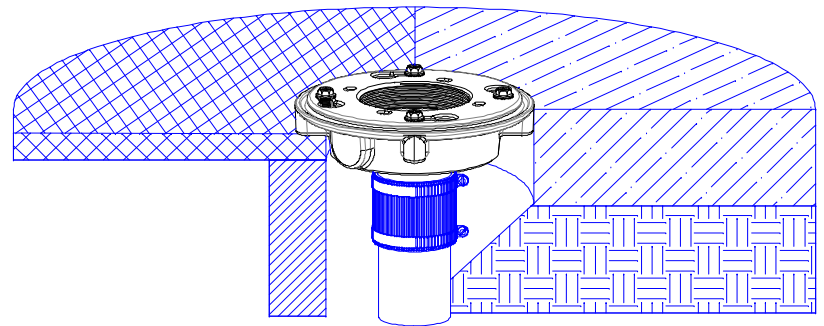
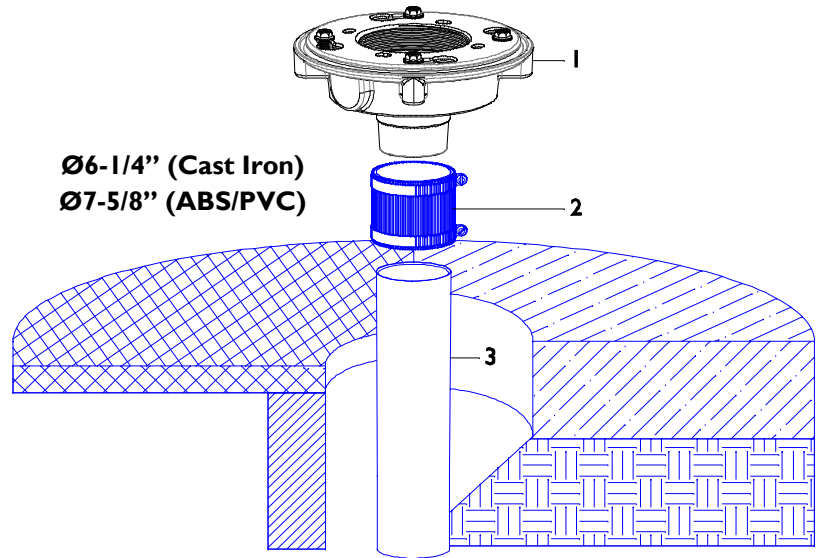
Wood Sub-Floor

Concrete Sub-Floor

All figures show 2" cast iron no-hub connection

## 1 INSTALLING DRAIN BODY

- Connect BODY (1) to pre-installed DRAINPIPE (3) via one of the following connections which are not included:
  - 2" Cast Iron No-Hub use 2" no-hub SLEEVE (2)
  - 3" Cast Iron No-Hub use 3" no-hub sleeve
  - 2" or 3" Cast Iron IPS use 2" or 3" pipe nipple
  - 2"/3" ABS use ABS solvent cement
  - 2"/3" PVC use PVC solvent cement
- NOTE:** It may be necessary to trim excess DRAINPIPE (3) to obtain proper final installation height
- For wood sub-floor installations the following cut hole sizes shall be made to properly support the installed drain BODY (1):
  - $\varnothing$  6-1/4" for ALL cast iron bodies
  - $\varnothing$  7-5/8" for ALL ABS and PVC bodies
- Perform leak test in accordance with local building & plumbing codes before proceeding
- For proper support on drain BODY (1) use one of the following methods based on installation type:
  - Wood sub-floor: provide framing support of drain BODY (1) and strapping of DRAINPIPE (3)
  - Concrete sub-floor: backfill with dirt and concrete around drain BODY (1)



## 2 INSTALLING WATERPROOFING

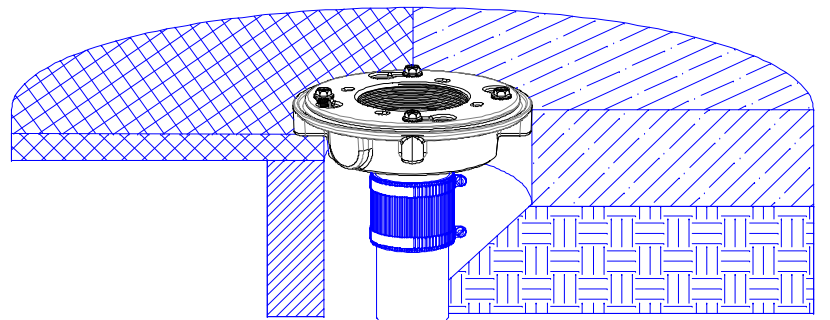
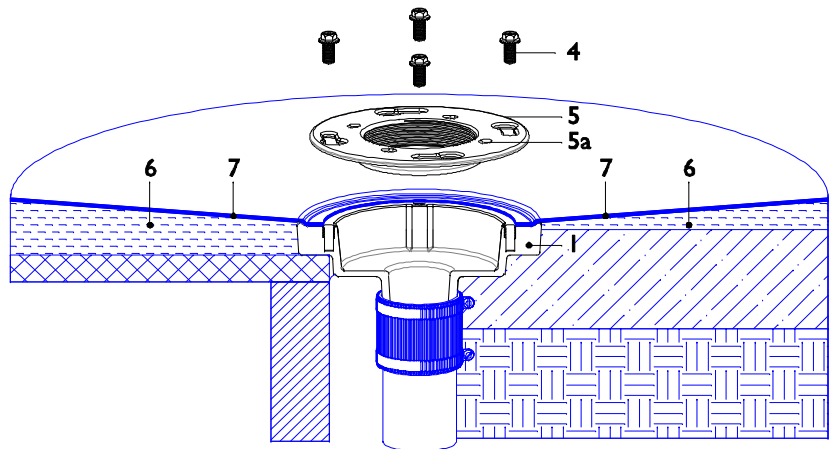
**NOTE:** All waterproofing materials shall be installed per manufactures instructions and local building & plumbing codes. The following is a guide as to how waterproofing relates to the StyleDrain® Tile™

- Loosen or remove BOLTS (4) and remove COLLAR (5) from drain BODY (1)
- Use MORTAR (6) or similar to achieve proper drainage (generally 1/4" per linear foot) then apply WATERPROOFING (7) on top of MORTAR (6)
- Reattach COLLAR (5) in either down or up position based on desired height requirements and/or local building & plumbing codes, tighten BOLTS (4) to secure COLLAR (5) into place

**NOTE:** When COLLAR (5) is installed in up position an additional 7/8" in height is achieved

**IMPORTANT:** It is necessary that WEEP HOLES (5a) are open and free of WATERPROOFING (7)

**IMPORTANT:** Perform water leak testing of WATERPROOFING (7) per manufactures and local building & plumbing codes requirements

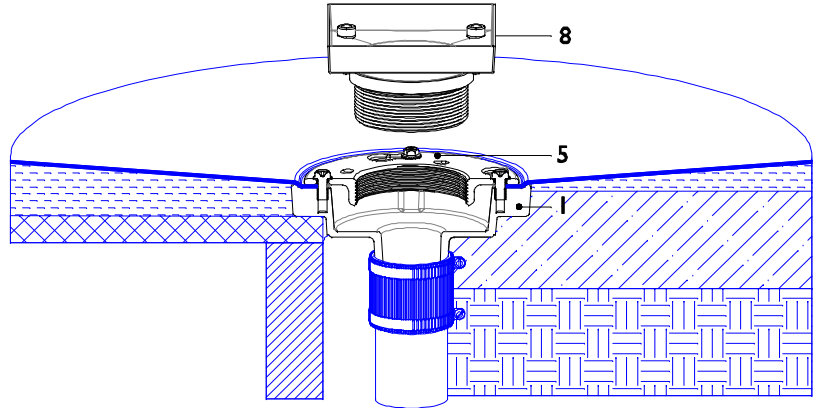


### 3

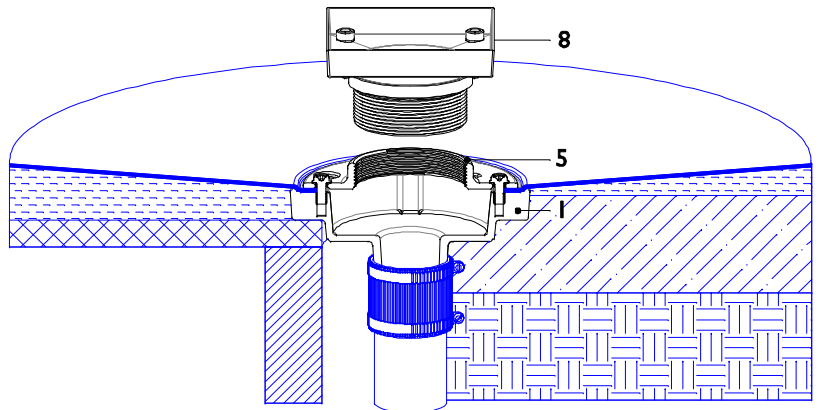
## INSTALLING THROAT (OUTER FRAME)

- To obtain proper height, rotate THROAT (8) to raise or lower (one complete rotation is equal to 1/8" in vertical height)

**NOTE:** When COLLAR (5) is installed in up position an additional 7/8" in height is achieved



**Shown with Collar Down**



**Shown with Collar Up  
Adds 7/8" of Height**

# 4

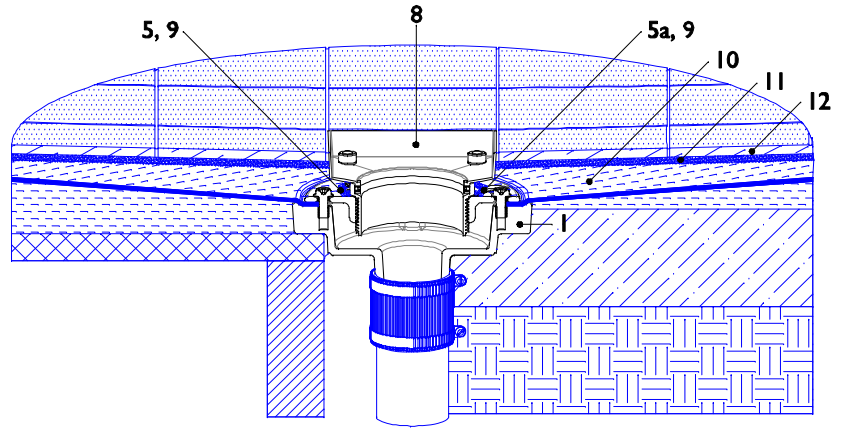
## INSTALLING TILE

- Place some pea GRAVEL (9) around WEEP HOLES (5a) to prevent MORTAR (10) from blocking WEEP HOLES (5a)

**IMPORTANT:** It is necessary that WEEP HOLES (5a) are open and free of building material to allow for proper water seepage

- Use MORTAR (10) to build up height to THROAT (8) taking into account thickness of THINSET (11) and TILE (12)

**WARNING:** Do NOT use harsh chemicals and scouring pads (e.g. acids, Scotch Brite®, steel wool, etc...) as these product will damage frame decorative finish and void warranty.



# 5

## INSTALLING COVER (INNER FRAME)

- Place appropriate amount of THINSET (11) into COVER (13) to achieve proper level height of cover TILE (12) to surrounding tile

**WARNING:** Do NOT use harsh chemicals and scouring pads (e.g. acids, Scotch Brite®, steel wool, etc...) as these product will damage frame decorative finish and void warranty.

- Place STRAINER (14) into THROAT (8)
- Place TILE/COVER (12,13) into THROAT (8)

Removal KEY is provided to aid is removal of COVER (13), place in secure place for possible future use

