

BIDET

THREE HOLE - TWO HANDLE

**INSTALLATION
INSTRUCTIONS**

IMPORTANT

All *California Faucets*® products are engineered to provide quality performance provided they are installed and operated properly. To fully enjoy the comfort, safety, and reliability of your new Bidet, please follow the instructions below.

California Faucets reserves the right to make modification and specification changes at any time.
Please visit www.calfaucets.com for most current technical data.

- 1 Install Vacuum Breaker/Diverter Valve Body (See Fig. 2):**
- Remove trim from valve body.
 - Install 90° ell into threaded side outlet. Ensure that the arrow stamped on the ell is facing outward (away from valve).
 - Thread "Y" to bottom of valve. Ensure that fiber washer is in place inside the "Y".
 - Remove the inverted nut, nylon slip rings and one self-seating china seal from valve body. Slide valve body up through the center hole of the bidet and reinstall the china seal, nylon slip ring and inverted nut. Hand-tighten to a firm seal.

- 2 Install Spray Head (See Fig. 1):**
- Drop the spray head through the appropriate hole in the bowl of the bidet. From underneath, install the rubber washer, then the metal washer, then the nut. Tighten firmly.

- 3 Install Pop-Up Guide (See Fig. 1):**
- Drop the pop-up guide through the appropriate hole in the bowl of the bidet. From underneath, install the washer, then the nut. Tighten firmly.

- 4 Install Pop-up Assembly (See Fig. 3):**
- Separate drain collar from pop-up assembly.
 - Apply silicon caulking to underside of drain collar. **NOTE: Do not use "Plumbers Putty" or any oil based sealants! Use of anything other than silicon caulking will VOID the finish warranty.**
 - Insert drain body from underside through sink. Slowly screw on drain collar, align with ball rod hole facing back wall, then gently pull down into sink and firmly tighten brass nut from below.
 - Remove tailpiece from drain body and apply teflon tape, approx. 3 to 5 wraps around threads and reinstall into bottom of drain body.
 - Insert stopper in collar and hold with eye-screw hole facing back. If necessary, adjust stopper eye-screw height by loosening lock nut and rotating counter-clockwise. Tighten lock nut (See Fig. 3).
 - Remove spring clip from ball rod.
 - Remove nut and cone washers and slide onto end of ball rod.
 - Insert ball rod into drain body below so short end of ball rod end fits in stopper eye-screw hole. Snug ball rod nut (do not over tighten). Ball rod must move up & down freely (See Fig. 3).
 - Insert lift rod through top of spout and then through hole rod strap underneath sink. Tighten thumb-screw of hole rod strap against lift rod and connect to ball rod by gently pinching locking spring clip and sliding one side of spring clip onto ball rod.
 - Insert hole strap onto ball rod, then pinch spring clip together to fit on ball rod.

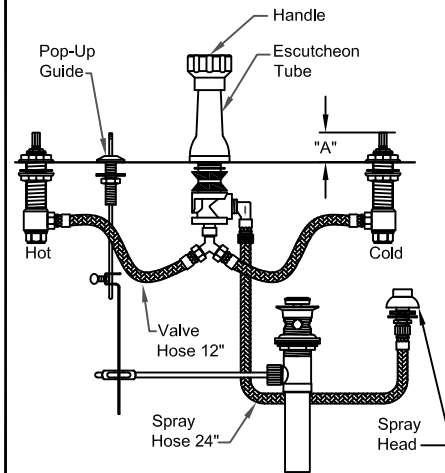


Fig. 1

TABLE 1

"A" Dimension is from the deck to tip of stem broach

Handle Series #	"A"
32	2-1/4"
33	2-1/4"
34	2-3/8"
35	2-3/8"
34	2-3/8"
35	2-3/8"
36	2-3/8"
38	2-5/8"
40	2-5/8"
42	2-5/8"
43	2-1/4"
46	2-1/2"
47	2-1/2"
50	2-1/4"
51	2-1/2"
53	2-1/4"
55	2-5/8"
57	2"
58	2-5/8"
59	3-1/8"
60	2-1/4"
61	2-1/4"
62	1-1/4"
63	3"
64	2-5/8"
65	2"
66	2"
67	2-1/4"
68	2-3/8"
69	2-3/8"
70	2-1/4"
71	1"
72	1"
73	1-1/16"

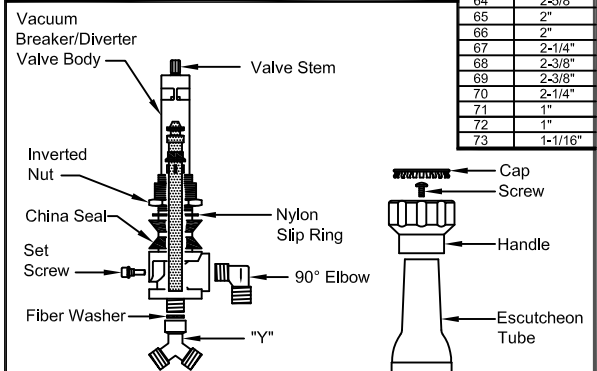


Fig. 2

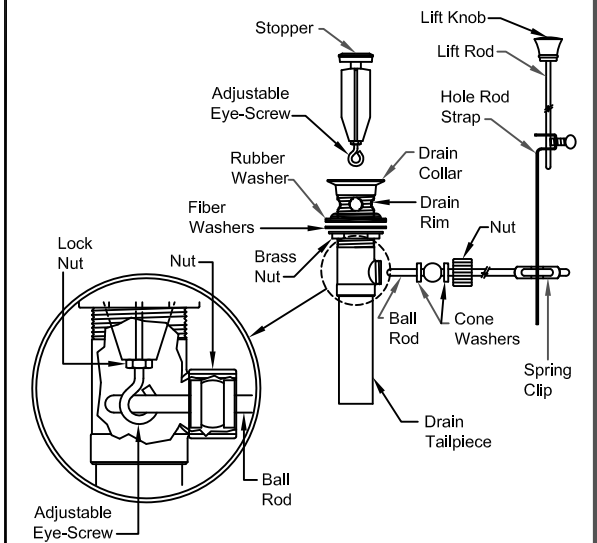


Fig. 3

- 5 Install valve bodies (See Fig. 4A & Table 1):**
NOTE: Hot & cold valves are labeled: *RED = hot & BLUE = cold.*
- Remove top nut and turn bottom nut with fiber washer down the valve until it stops.
 - Insert valve through hole from below, install top nut and adjust valve to proper height "A".
 - Attach escutcheon and base ring (if applicable) to threads on valve.
- NOTE for Series 32, 33, 34, 35, 36, 43, 57, 60, 61, 62, 65, 66, 67, 68, 69, 71, 72 & 73 (see Fig. 4B):**
- Discard top nut.
 - Attach base ring to escutcheon.
 - Thread escutcheon/base ring onto threads below stem and adjust valve to proper height "A".
 - Place handle onto stem allowing minimal gap between escutcheon & handle. Tighten setscrews with Allen key provided.

NOTE: Retain allen key as handles may require re-tightening with normal use.

- 6 Install Hoses (See Fig. 1):**
- Connect 24" hose to 90° elbow on valve outlet to sprayhead.
 - Connect 9-3/4" supply hoses from "Y" on bottom of valve outlet to hot & cold valves.
 - Hoses shall be handtightened, then tighten 1/4 to 1/2 turn with wrench.

- 7 Connect Valve to Water Supply (see Fig. 5):**
IMPORTANT: Flush supply lines of all debris prior to connecting to valve bodies. Debris in lines will damage valve bodies and cause leaks. Damage caused by failure to flush lines will void the warranty.
- Connect supply risers from supply stops to bottom of valve body.

NOTE:
 P-trap, angle stops, and supply risers are not supplied. We recommend genuine Cal-Trim parts available at your authorized California Faucets dealer.

- 8 Install "P" Trap (see Fig. 6):**
- Connect your waste "P" trap to the drain tailpiece.

- 9 Turn on Water Supply:**
- Operate hot, cold & vacuum breaker/diverter valves. Inspect all joints & fittings for leaks.

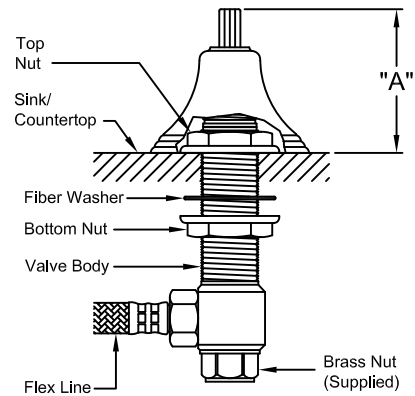


Fig. 4A

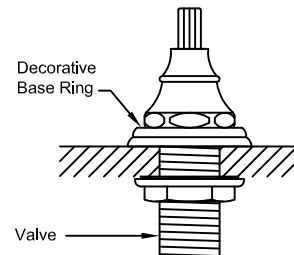


Fig. 4B

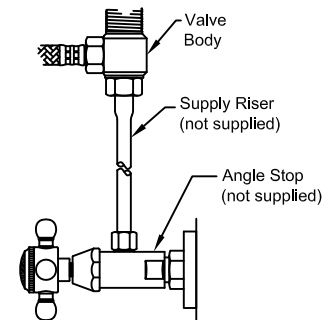


Fig. 5

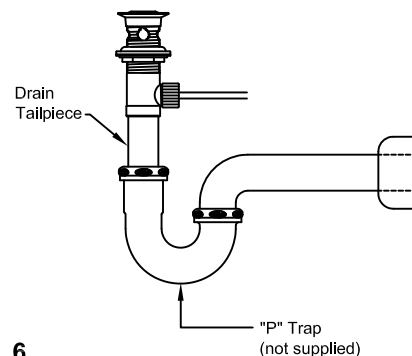


Fig. 6