



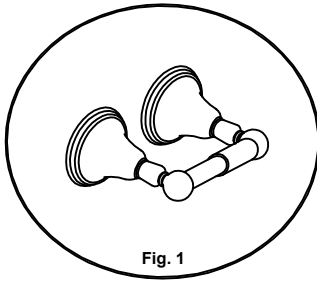
California Faucets®

Tel: 714-891-7797  
Fax: 714-891-2478  
Toll Free: 800-822-8855  
www.calfaucets.com

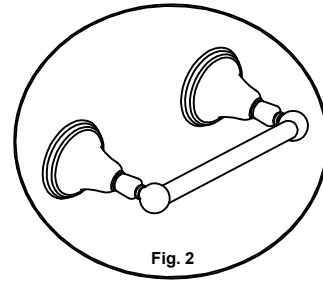
# ACCESSORIES

## INSTALLATION INSTRUCTIONS

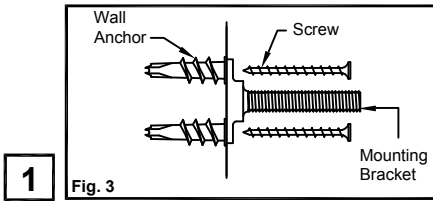
### Dual Post Items (For dimensions on center see Fig. 9)



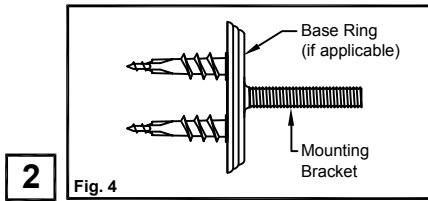
**Toilet Paper Holder**



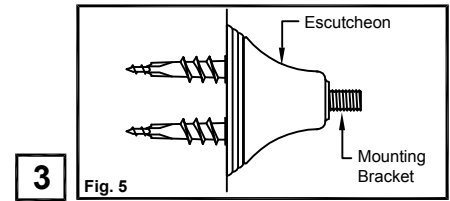
**Towel Bar**



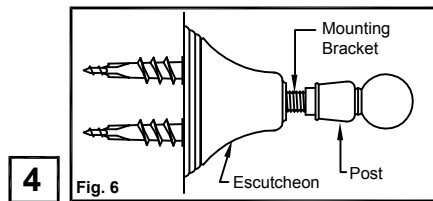
**1** Fig. 3  
Install mounting brackets to wall with screws (supplied) and anchors (if applicable). (See Fig. 9 for proper centering).



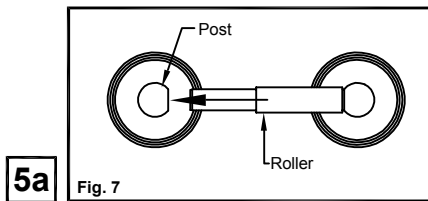
**2** Fig. 4  
Place base rings (required on certain models) against wall, over the mounting brackets.



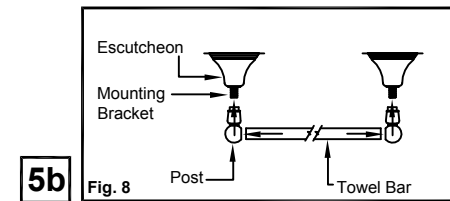
**3** Fig. 5  
Place escutcheons against wall, over the mounting brackets.



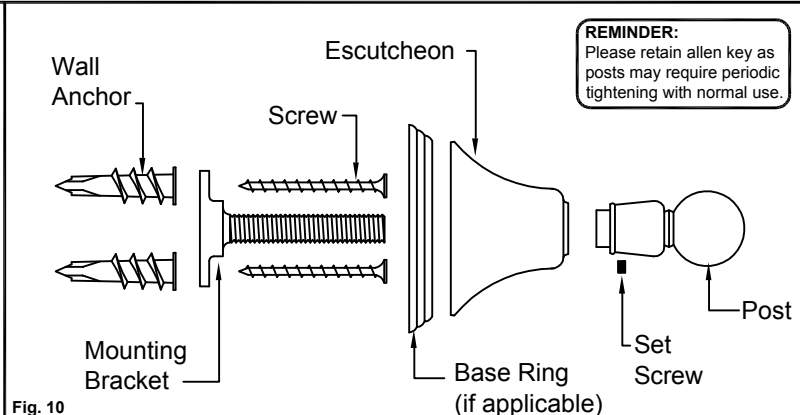
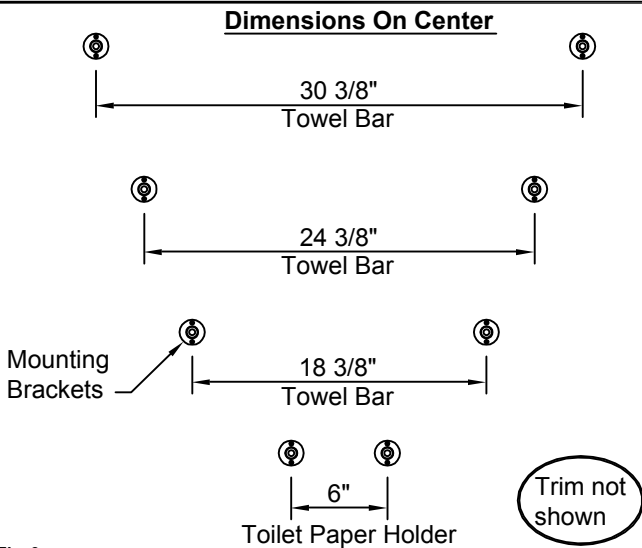
**4** Fig. 6  
Set posts over the mounting brackets, inserting through escutcheons.



**5a** Fig. 7  
For toilet paper holder, align posts and tighten set screws with allen key (supplied). Then simply insert roller into posts.



**5b** Fig. 8  
Insert towel bar into both posts and slide both posts onto the mounting bracket posts protruding from escutcheons. Then tighten both set screws from below.



**REMINDER:**  
Please retain allen key as posts may require periodic tightening with normal use.

**IMPORTANT CLEANING NOTICE**  
Please refer to *Finish Care Instructions* for complete cleaning information. Wipe frequently with a soft, damp cloth. **Never use acids, harsh abrasives or detergents.**