



California Faucets®

**Hermosa®**

TRADITIONAL DECK MOUNT TUB FILLER WITH HANDSHOWER

**Features**

- Available in 28 finishes including 13 PVD finishes
- All brass construction
- Tub filler maximum flow rate: 15 gpm (56.8 L/min) at 60 psi
- Handshower flow rate: 2.0 gpm (7.6 L/min) or 1.8 gpm (6.8 L/min)
- Handshower bracket may be placed on COLD or HOT side of body
- 1/4 turn ceramic disc cartridges

**Codes/Standards Applicable**

Product meets or exceeds the following:

- ASME A112.18.1/CSA B125.1
- CEC (1.8 gpm) / DOE (2.0 gpm & 1.8 gpm)
- Commonwealth of MA
- ADA compliant (with lever handles)
- EPA WaterSense handshower (2.0 gpm)
- Local codes may require installation of an upstream tempering valve

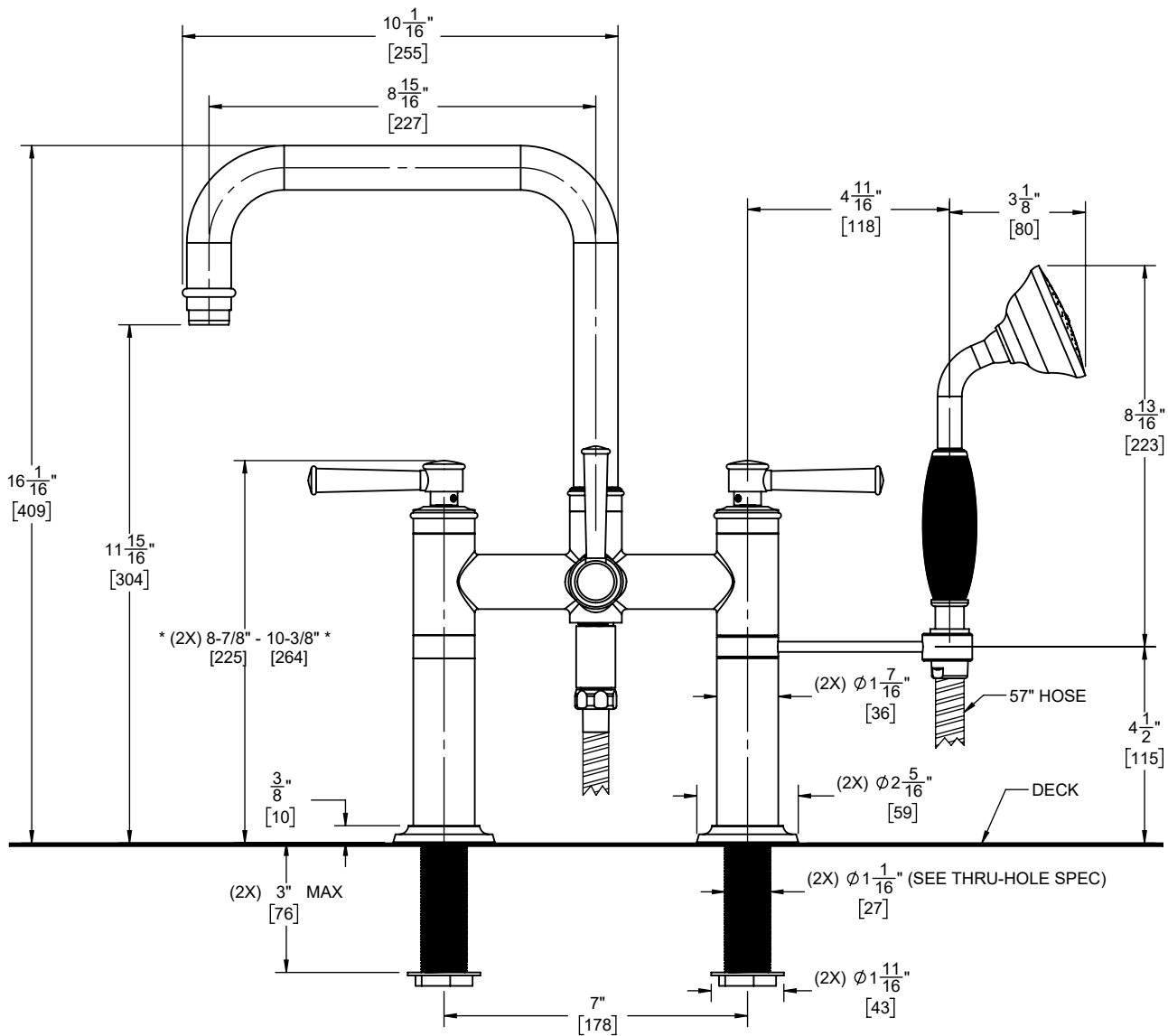


1408-48.FR SHOWN

1408-XX.13M.20  
 1408-XX.13M.18  
 1408-XX.20  
 1408-XX.18



XX= DENOTES HANDLE SERIES



THROUGH-HOLE SPECIFICATIONS		
MIN	RECOMENDED	MAX
$\phi 1\text{-}1/16$ " [27]	$\phi 1\text{-}5/16$ " [33]	$\phi 1\text{-}3/8$ " [35]
DIMENSIONS SHOWN TO NEAREST 1/16"		
[DIMENSIONS SHOWN TO NEAREST 1/16"]		

\* = DIMENSION VARIES BASED ON HANDLE SERIES  
 SPECIFICATIONS SUBJECT TO CHANGE WITHOUT NOTICE