



California Faucets®

CORSANO™

CULINARY KITCHEN FAUCET

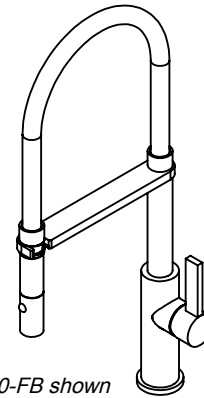
Features

- Solid brass construction
- 360° rotating arm with slide-in opening to secure sprayhead
- Flexible closed coil stainless steel spring
- One button operation brass sprayhead has dual function aerated or spray mode
- Spray jets have easy-to-clean surface that withstands mineral build-up
- Ceramic disc cartridge
- 1.8 gpm (6.8 L/min) maximum flow rate
- Over 30 finishes including 15 PVD finishes

Codes/Standards Applicable

Meets or exceeds the following at date of manufacture:

- ASME A112.18.1/CSA B125.1
- NSF 61 and NSF 372



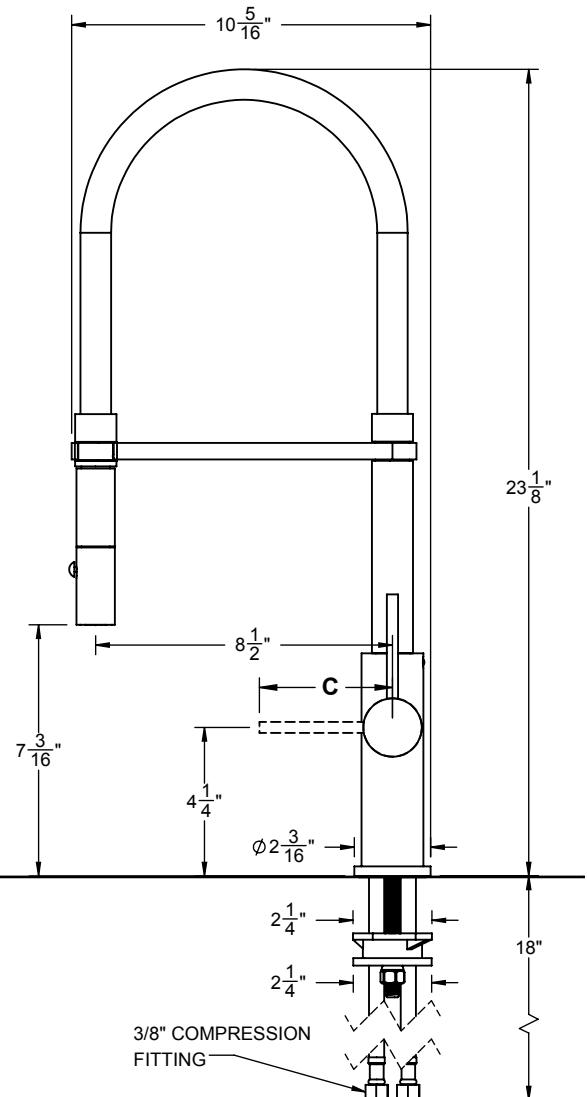
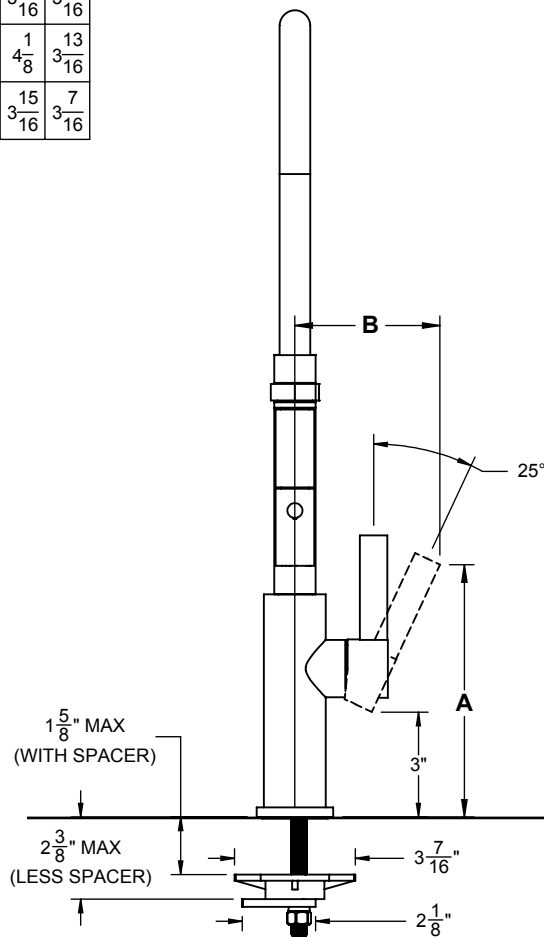
CF-K51-150-XX
CF-K51-150F-XX

CF-K51-150-FB shown

XX = DENOTES HANDLE STYLE

DIMENSIONS (in.)			
XX HANDLE	A	B	C
BFB	7 1/4"	4 1/8"	13 3/16"
BST	7 7/8"	3 15/16"	7 3/16"
FB	7 1/4"	4 1/8"	13 3/16"
ST	7 7/8"	3 15/16"	7 3/16"

THROUGH-HOLE SPECIFICATIONS		
MIN	RECOMENDED	MAX
Ø 1-1/4"	Ø 1-3/8"	Ø 1-3/8"



ALL DIMENSIONS SHOWN TO NEAREST 1/16"