



ZeroDrain™

California Faucets®

9050Z, 9050ZF, 9050ZB & 9050ZBF

Pop-Down Lavatory Drain

Installation Instructions

(includes installation of 9050Z-TSS & 9050Z-EXT)

CALIFORNIA FAUCETS RECOMMENDS THAT ALL PLUMBING PRODUCTS BE INSTALLED BY A LICENSED PROFESSIONAL

IMPORTANT: Read all instructions prior to installation and provide copy of instructions to consumer.

For use on sinks with or without overflow

1 INSTALLING DRAIN ON SINK

- Sink HOLE (4) shall be $\text{Ø}1\text{-}5/8\text{'}$ min with downward draft to accept underside radius on F LANGE (2)
- Remove STOPPER (1), TAILPIECE (9), WASHER (8) & NUT (10) from ZeroDrain assembly for later use
- Apply thin film of silicon SEALANT (3) (or equivalent – DO NOT use petroleum-based sealant as this WILL void finish warranty) to underside of FLANGE (2)
- Insert FLANGE (2) though sink HOLE (4)
- FOR THICK SINK: Place GASKET (5) onto top of BODY (6)
- FOR THIN SINK: Use 9050Z-TSS (sold separately); Place GASKET (5), SPACER (7), with smaller diameter down as shown, and second GASKET (5) onto top of BODY (6)
- From underside, attach BODY (6) onto FLANGE (2) and firmly secure to lower side of sink to seal GASKET(s) (5)

2 INSTALLING TAILPIECE

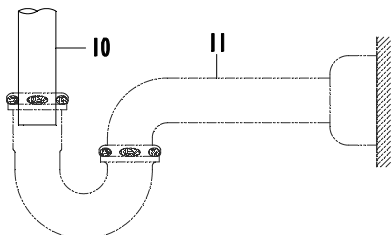
- Place NUT (10) and WASHER (8) onto TAILPIECE (9) and secure onto BODY (6)

3 INSTALLING STOPPER

- Insert STOPPER (1) into FLANGE (2)

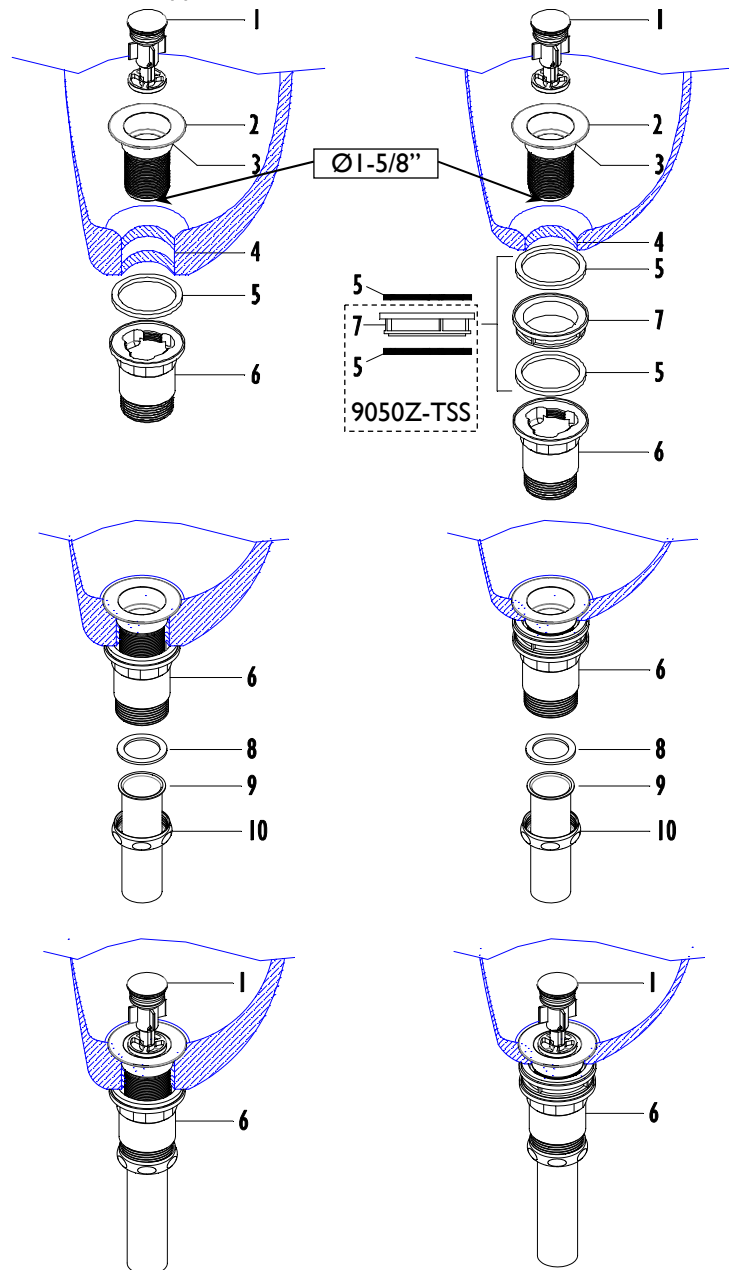
4 ATTACHING TO P-TRAP

- Slide TAILPIECE (10) into P-TRAP (11), not supplied, and secure p-trap nut for water tight seal



Thick Sink Applications

Thin Sink Applications

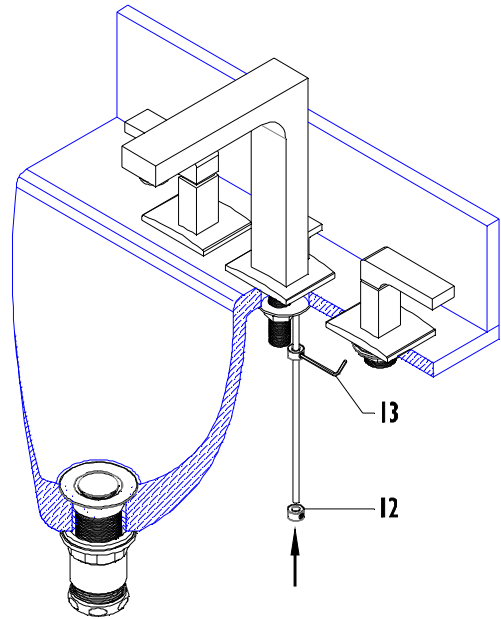


5 INSTALLING LIFT ROD RETAINER (LR-RET)

IMPORTANT: For faucets with a lift knob and rod the usage of retainer, LR-RET (sold separately or supplied with complete faucet set), may be used to allow knob to remain as a decorative (non-operating) element on faucet

- From underneath, slide RETAINER (12) onto lift rod and secure in place with hex KEY (13)

NOTE: In some cases it may be best to remove lift rod and knob from faucet, and install RETAINER (12) onto lift rod at desired location and slide lift rod up from bottom and tighten into knob



6 INSTALLING EXTENSION (9050Z-EXT)

IMPORTANT: For thick sink/deck applications, an extension kit 9050Z-EXT (sold separately) may be necessary.

- Attach EXTENSION (14) onto FLANGE (2)
- Apply thin film of silicon SEALANT (3) (or equivalent – DO NOT use petroleum-based sealant as this WILL void finish warranty) to underside of FLANGE (2)
- Insert FLANGE (2) though sink/deck HOLE (4/4a)
- From underside, place GASKET (5) onto top of BODY (6) and secure onto EXTENSION (14)

NOTE: In some cases depending on total sink/deck thickness and location of non-threaded section on extension COLLAR (14a), it may be necessary to use supplied SPACER (7) and second GASKET (5) to secure the BODY (6) to underside of sink/deck.

- From underside, place GASKET (5), SPACER (7), with smaller diameter down as shown, and second GASKET (5) onto top of BODY (6) and secure onto EXTENSION (14)
- See **2** INSTALLING TAILPIECE
- See **3** INSTALLING STOPPER
- See **4** ATTACHING TO P-TRAP

IMPORTANT: When installing ZeroDrain onto sink with overflow that rests on top of a countertop, it is necessary to create a watertight seal between the bottom of the sink and top surface of the counter. If the counter is made from water absorbing material (e.g. wood) and a sink with overflow is used the lower GASKET (5) and BODY (6) **MUST** seal against the bottom of the sink

