



California Faucets®

7402 & 7502

Widespread Lavatory Faucet Installation Instructions

CALIFORNIA FAUCETS RECOMMENDS THAT ALL PLUMBING PRODUCTS BE INSTALLED BY A LICENSED PROFESSIONAL

IMPORTANT: Read all instructions prior to installation and provide copy of instructions to consumer.

Operating Specifications:

Recommended Supply Pressure: 20 to 70 psi^{*†}
Maximum Flow Rate: 1.2 gpm

* Operating pressures between hot and cold supplies should vary no more than 30 psi.

† If water pressure exceeds 70 psi, install a Pressure-Reducing Valve (RPV).

I

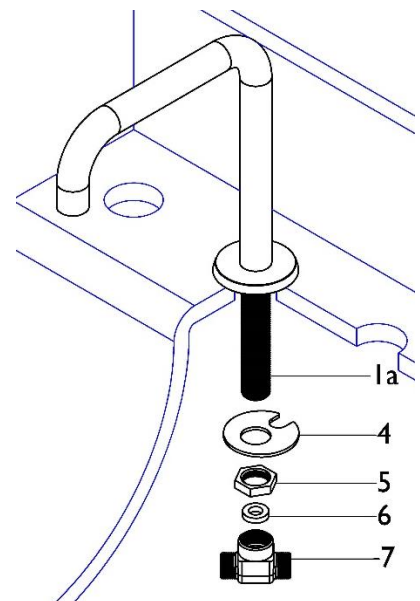
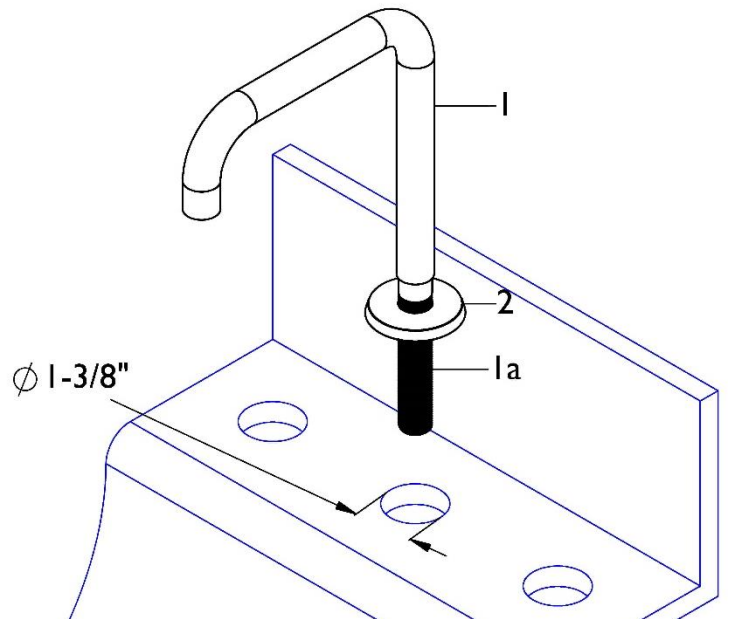
INSTALLING SPOUT TO SINK/DECK

- Insert spout SHANK (1a) through spout base RING (2) and center hole in sink

NOTE: Sink/Deck recommended hole size shall be $\varnothing 1-3/8"$

- Place slotted WASHER (4) onto spout SHANK (1a) and tighten SPOUT (1) into place with NUT (5)
- Insert RUBBER WASHER (6) into TEE (7) and attach to spout SHANK (1a)

IMPORTANT: TEE (7) should be tightened to create watertight seal and positioned to allow ease of attachment of valve hoses



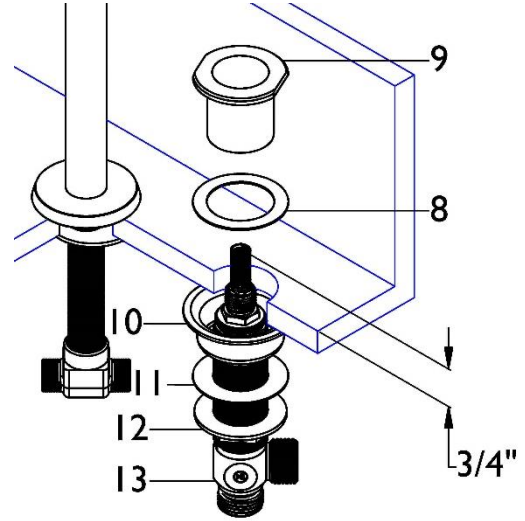
2 INSTALLING VALVE

- From underneath insert VALVE (13) through appropriate sink/deck hole

IMPORTANT: VALVES (13) are labeled as follows:

BLUE is **COLD** left turning (counter-clockwise) closed
RED is **HOT** right-turning (clockwise) closed

- Position flange NUT (12) WASHER (11) & cup SPACER (10) so that VALVE (13) extends above sink/deck surface $\frac{3}{4}$ "
- Secure VALVE (13) with inverted NUT (9) and WASHER (8)



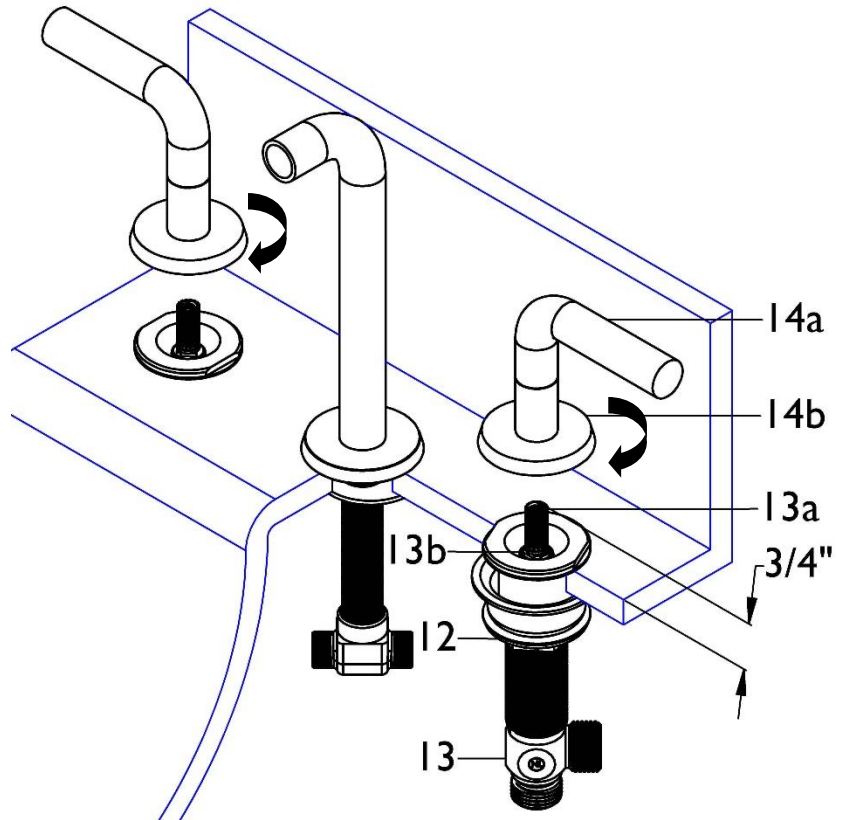
3 INSTALLING HANDLE

NOTE: Check that handle ESCUTCHEON (14b) spins independently of handle TOP (14a)

- Slide HANDLE (14) down onto and engage valve STEM (13a)
- Secure HANDLE (14) to deck by tightening handle ESCUTCHEON (14b) onto valve THREADS (13b)

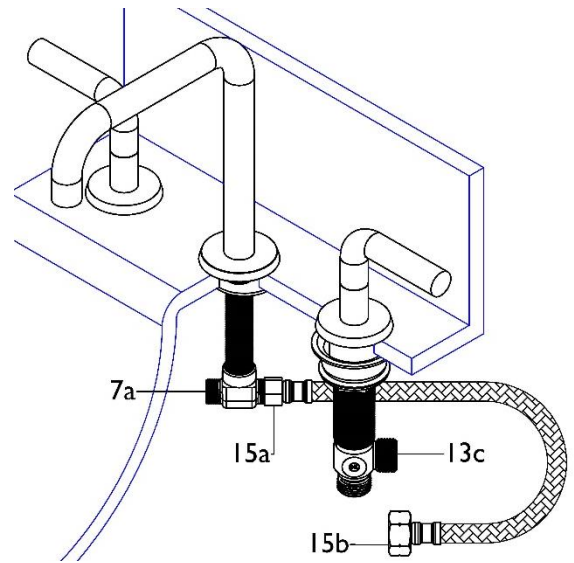
IMPORTANT: VALVES (13) are labeled as follows:

BLUE is **COLD** left turning (counter-clockwise) closed
RED is **HOT** right-turning (clockwise) closed



4 INSTALLING VALVE HOSES

- Attach small hose NUT (15a) to spout TEE (7a)
- Attach large hose NUT (15b) to valve side OUTLET (13c)
- Repeat on other side valve



5 INSTALLING SUPPLIES LINES

IMPORTANT: Prior to attachment, flush supply lines to remove debris that may cause damage or malfunction to valve cartridge.

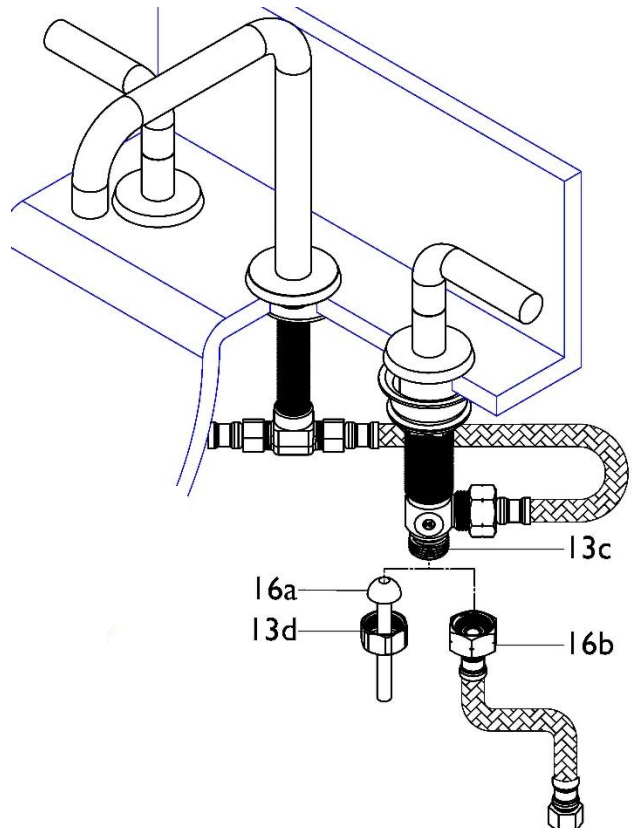
The following are two styles of supply lines (not included) that may be installed to the valve bodies:

Rigid riser for exposed application

- Install RIGID RISER (16a) using valve NUT (13d) to secure riser to valve INLET (13c)

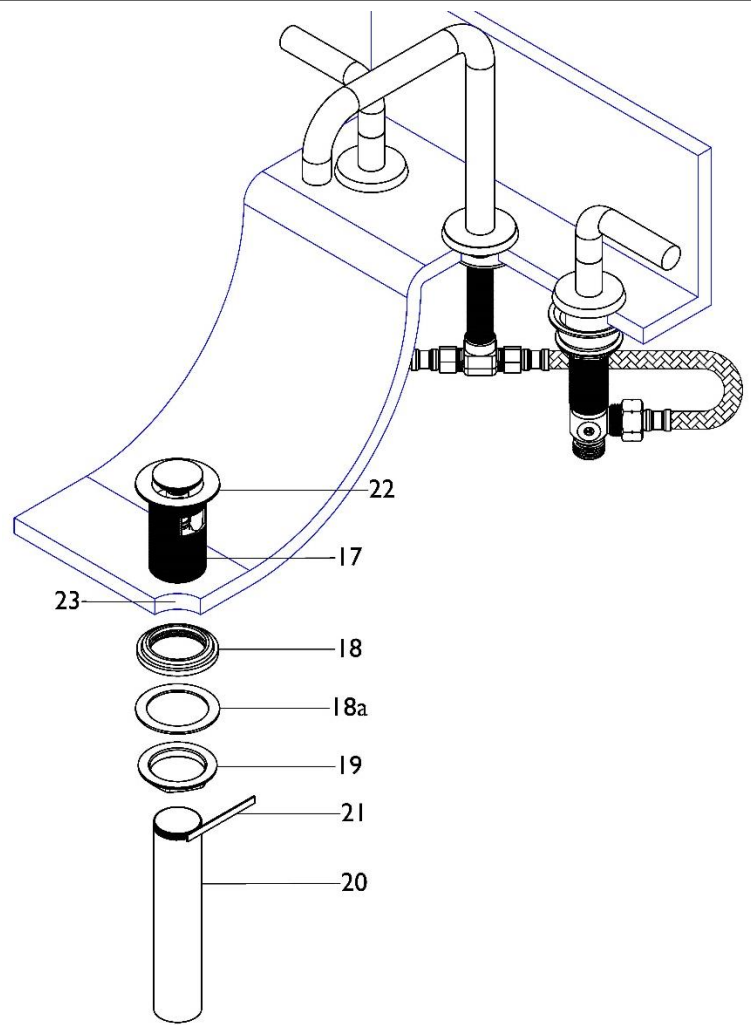
Flexible riser for non-exposed application

- Discard valve NUT (13d) & install FLEX RISER (16b) to valve INLET (13c)



6 INSTALLING DRAIN

- Slide white foam WASHER (22) up under flange of BODY (17)
- - or -
- Apply thin film of Silicon® sealant (or equivalent – DO NOT use petroleum-based sealant as this WILL void finish warranty) to underside of flange on BODY (17)
- Insert BODY (17) down through sink drain HOLE (23)
- From underside, slide MACH-WASHER (18) and FRICTION-WASHER (18a) up onto BODY (17)
- Secure BODY (17) into place with flange NUT (19)
- Apply Teflon® tape (21) (not supplied) to threaded portion of TAILPIECE (20) & tighten onto BODY (17)
- Attach drain tailpiece to p-trap (not supplied)



7 FLUSH SYSTEM & CHECK FOR LEAKS

- Remove AERATOR (23) from SPOUT (1) using KEY (24); rotate counterclockwise to loosen
- Turn on water supply valves
- Turn faucet HANDLE (14) to full open to flush system for 1 minute

IMPORTANT: This flushes any debris from the system that could cause damage to internal parts

- Check for leaks at all connections
- Reinstall AERATOR (23) into SPOUT (1) using KEY (24)

