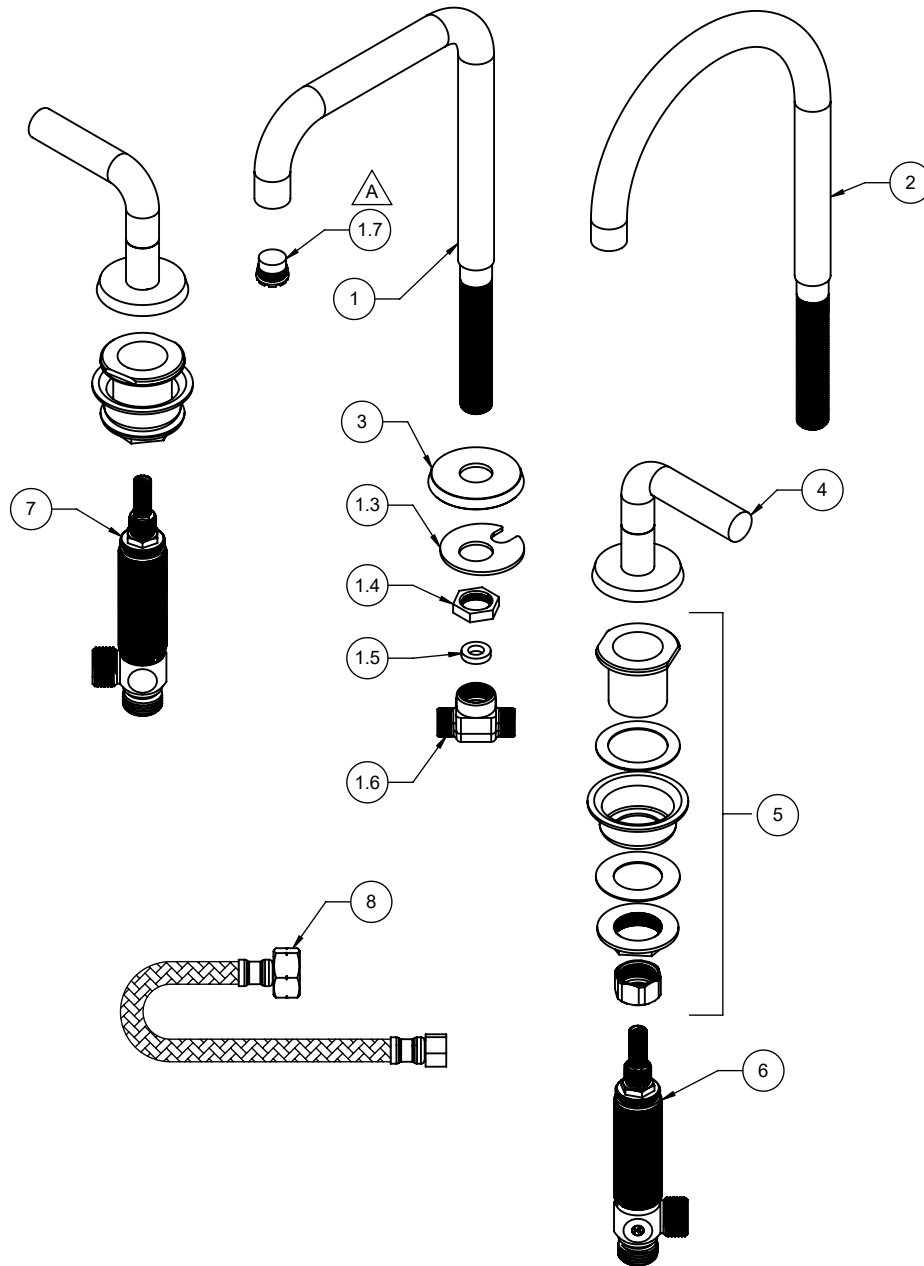


△ REQUIRES ITEM ⑨



To order spare parts add and/or replace as stated below:

SPD- prefix added to part number(s)
-ZZ replaced with finish code (see finish table)
-WW replaced with **-90** (light finish) or **-96** (dark finish)

Ex: **SPD-7-100463-PC** or **SPD-86030-96**

	ITEM	PART NO	DESCRIPTION	QTY.
for 74 Series	1	7-100237-ZZ	ASM, LAV SPOUT, DOUBLE BEND, "NL" <i>(incl. 1.3, 1.4, 1.5, 1.6, 1.7)</i>	1
	1.3	881766-99	WSHR HORSESHOE	1
	1.4	881276-99	NUT, HEX 3/8"-18 NPSM X .20 HT	1
	1.5	87162-80	WSHR Ø8.5 X Ø15.5 X 3.5MM EPDM A70 (NSF-61-12 & WRAS)	1
	1.6	880083-90	TEE, 3-WAY LAV - SS	1
	1.7	880356-81	INSERT, 1.2 GPM, TT LAMINAR (CACHE)	1
	for 75 Series	2	7-100236-ZZ	ASM, LAV SPOUT, CONT TUBE, "NL" <i>(incl. 1.3, 1.4, 1.5, 1.6, 1.7)</i>
3		10483-ZZ	BASE, Ø1.88" FLAT RD LAV	1
4		7-100575-ZZ	ASM, 74 SERIES HANDLE TAP'D - G2	2
5		6-200294	KIT, W/S INV NUT - 2 SETS (1 SET - 6-200294-1)	1
6		6-200087	ASM, COLD-LAV "NL" BODY & CART (.25 Pb)-G4 <i>(incl. CART-WS-LTC)</i>	1
7		6-200088	ASM, HOT-LAV "NL" BODY & CART (.25 Pb)-G4 <i>(incl. CART-WS-RTC)</i>	1
8		880099-99	HOSE, POLY BRAIDED, 1/2 IPS X 3/8 CMP X 12 (DN6-SILICONE) (NL, NSF-61-12 & WRAS)	2
9		223472-99	KEY, TT CACHE AERATOR INSERT	1

