



CF-3301-2 CF-3501-2  
CF-4201-2 CF-6201-2

## Single Hole Lavatory Vessel Faucet Installation Instructions

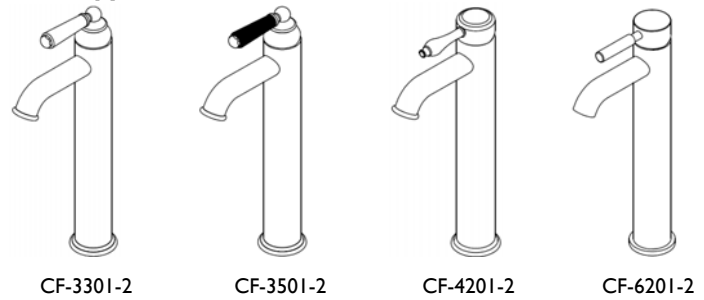
**CALIFORNIA FAUCETS RECOMMENDS THAT ALL PLUMBING PRODUCTS BE INSTALLED BY A LICENSED PROFESSIONAL**

**IMPORTANT:** Read all instructions prior to installation and provide copy of instructions to consumer.

### Operating Specifications:

Recommended Supply Pressure: 20 to 70 psi\*

\* If water pressure exceeds 70 psi, install a Pressure-Reducing Valve (RPV).

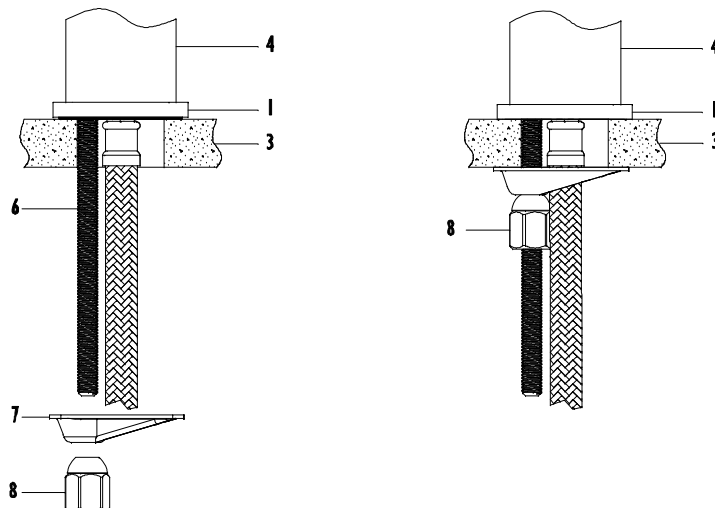
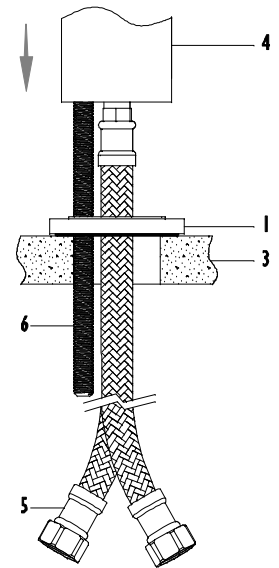
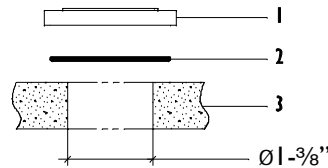


## INSTALLING FAUCET TO SINK/DECK

- Insert O-RING (2) into bottom of BASE RING (1) and center over sink/deck THROUGH-HOLE (3)

**NOTE:** Recommended sink/deck THROUGH-HOLE is  $\varnothing 1\text{-}\frac{3}{8}\text{'}$

- Insert FLEX HOSE (5) (one at a time) and THREADED ROD (6) through BASE RING (1) and sink/deck THROUGH-HOLE (3)
- Place BODY (4) on top of BASE RING (1)
- From underside of sink/deck THROUGH-HOLE (3), place MOUNTING BRACKET (7) and NUT (8) onto THREADED ROD (6)
- Tighten NUT (8) until BODY (4) and BASE RING (1) is secure to sink/deck



## 2 TYPICAL DRAIN INSTALLATION

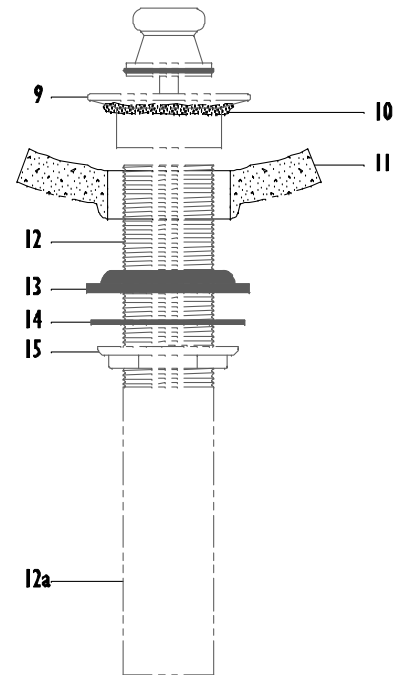
This faucet does not come with a drain because the typical lift rod style drains are not practical for most vessel sinks. Vessel sinks are very unique and therefore a standard drain is generally not convenient. Cal Trim, a division of California Faucets, offers a complete selection of styles (i.e. Umbrella, Lift & Turn, Grid, etc...) and configurations (i.e. with/without overflow holes and partially/fully polished & finished) to compliment the range of vessel sinks available.

The following is a typical installation of Cal Trim's Lift & Turn Drain:

- Remove COLLAR (9) from drain assembly and apply SILICONE CAULK (10) (or equivalent) to underside of COLLAR (9)

**CAUTION:** Do not use or any oil base sealant that may damage finish

- Insert DRAIN BODY (12) from underside through sink DRAIN HOLE (11) and attach to COLLAR (9)
- Firmly tighten FLANGE NUT (15) against FRICTION WASHER (14), MACK WASHER (13) and sink DRAIN HOLE (11)



## 3 SUPPLY & WASTE CONNECTIONS

- Connect blue colored FLEX HOSE (5) to cold SUPPLY VALVE (16) and red colored FLEX HOSE (5) to hot SUPPLY VALVE (16)

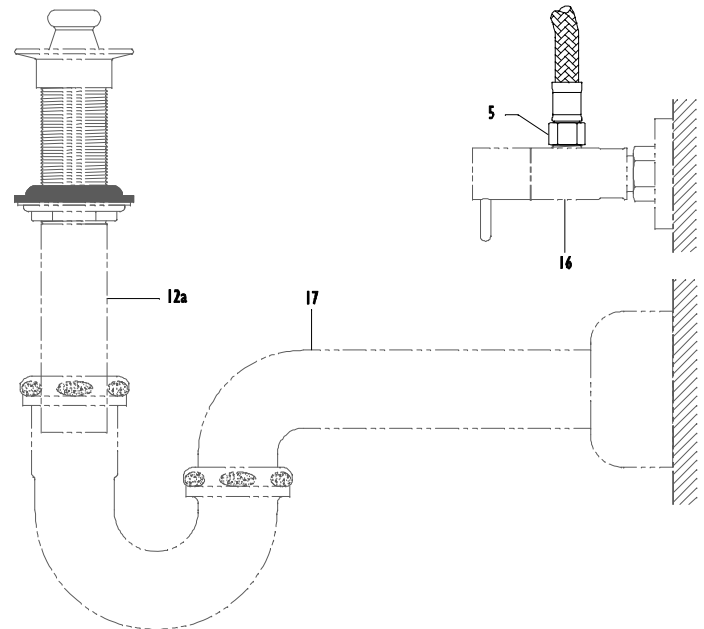
**IMPORTANT:** Flush supply lines and valves prior to installation to prevent damage and malfunction of cartridge

- Connect waste P-TRAP (17) to drain TAILPIECE (12a)

**NOTE:** Supply valves and P-Trap are not supplied with faucet. See CAL TRIM for complete selection of matching products in desired finish

- Turn on cold and hot SUPPLY VALVES (16)
- Slowly open faucet lever by lifting lever and rotate to left and right
- Check all connections for leaks and repair as necessary
- Give these instructions and Blue Plastic Aerator Key to consumer for safe keeping

**NOTE:** Occasionally, due to water conditions it may be necessary to remove aerator and clean debris off with soft bristle toothbrush



[www.calfaucets.com](http://www.calfaucets.com)

5231 Argosy Ave. Huntington Beach, CA 92649  
800-822-8855