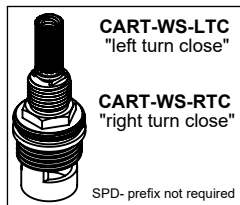
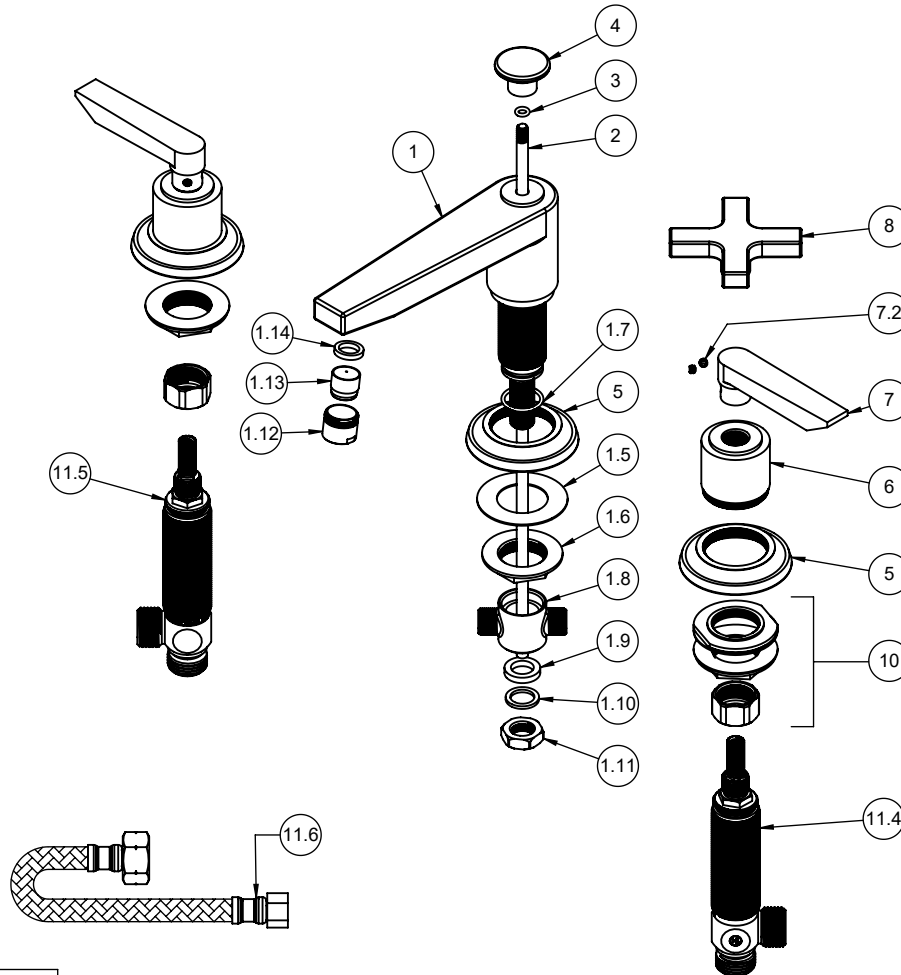


4502
4502X



To order spare parts add and/or replace as stated below:

SPD- prefix added to part number(s)
-ZZ replaced with finish code (see finish table)
-WW replaced with **-90** (light finish) or **-96** (dark finish)

Ex: **SPD-7-100463-PC** or **SPD-86030-96**

ITEM	PART NO.	DESCRIPTION	QTY	
1	7-100134-ZZ	ASM, LAV SPOUT, ART DECO, "NL" (incl. 1.5, 1.6, 1.7, 1.8, 1.9, 1.10, 1.11, 1.12, 1.13, 1.14)	1	
1.5	881253-99	WSHR 1"-20 SHANK - SS	1	
1.6	881275-99	FLANGE NUT, 1"-20 - BRS	1	
1.7	87221-80	O-RING Ø18.77 X 1.78 (-018) EPDM A70 (NSF61-12 & WRAS)	1	
1.8	880084-90	TEE, 4-WAY LAV - SS	1	
1.9	87061-80	WSHR Ø12.2 X Ø19.0 X 3.5MM EPDM A70 (NSF-61-12)	1	
1.10	881268-99	WASHER, 4-WAY TEE - BRS 17.7 X 12.9 X 1.7MM	1	
1.11	881267-99	NUT, 1/2-20 UNF	1	
1.12	672340-ZZ	AERATOR HOUSING, M18, 67 LAV SPOUT	1	
1.13	880355-81	INSERT, 1.2 GPM, TT LAMINAR (PCA PERLATOR)	1	
1.14	87148-80	WSHR Ø11.00 X Ø15.50 X 2.75MM BLK RBR (NSF)	1	
2	882605-ZZ	LIFT ROD, Ø6MM X 13.5" (1/4"-20 THD)	1	
3	882455-99	O-RING Ø4.47 X 1.78 (-008) BUNA-N A70	1	
4	10357-ZZ	LIFT KNOB, ART DECO	1	
5	10363-ZZ	RING, BASE, TRAD	3	
6	652120-ZZ	ESCUTCHEON, 65 & 66 SERIES	2	
for 45 Series	7	7-100135-ZZ	ASM, LEVER HANDLE - ART DECO (incl. 7.2)	2
	7.2	86030-WW	SETSCREW 8-32 X 1/8 SCKT HD CUP PT SS	2
for 45X Series	8	7-100267-ZZ	ASM, SQ. CROSS HDL (incl. 7.2)	2
	10	6-200293	KIT, W/S STD NUT - 2 SETS (1 SET - 6-200293-1)	1
	11.4	6-200087	ASM, COLD-LAV "NL" BODY & CART (.25 Pb)-G4 (incl. CART-WS-LTC)	1
	11.5	6-200088	ASM, HOT-LAV "NL" BODY & CART (.25 Pb)-G4 (incl. CART-WS-RTC)	1
	11.6	880099-99	HOSE, POLY BRAIDED, 1/2 IPS X 3/8 CMP X 12 (DN6-SILICONE) (NL, NSF-61-12 & WRAS)	2
for ITEM 7.2	12	882042-99	KEY, ALLEN, 5/64", BLACK	1