



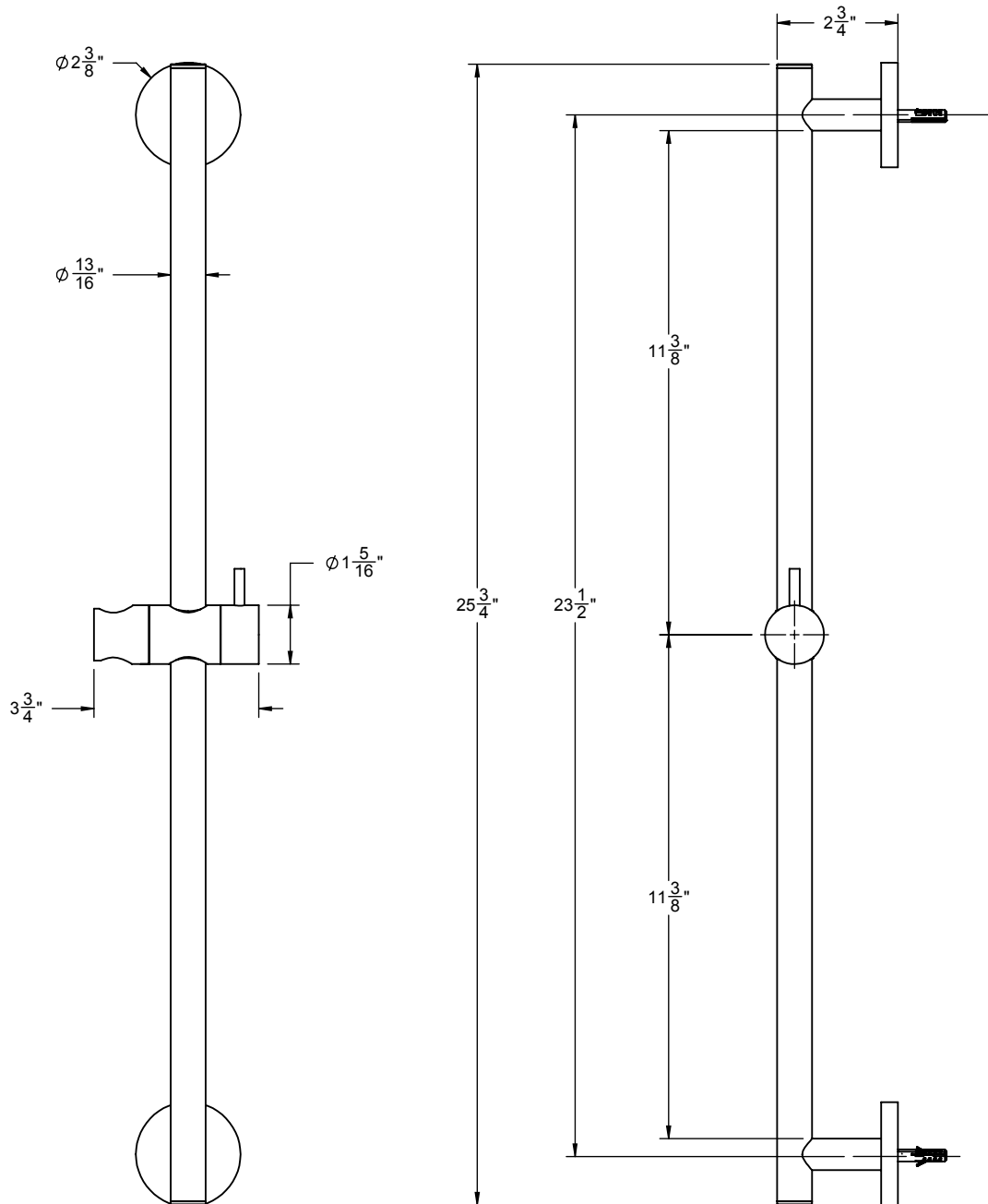
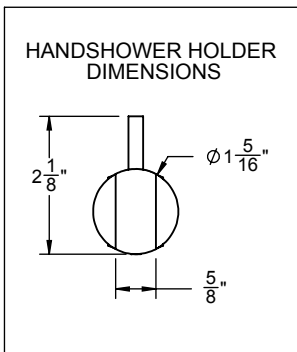
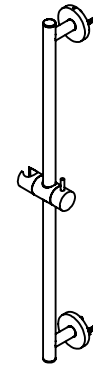
Features

- Over 30 finishes including 14 PVD finishes
- Solid brass construction
- Handshower holder slides up and down
- Handshower holder most conical end of hose (rotates allowing for varies spray direction)
- Right or left handed based on installation
- Includes all mounting hardware
- For additional product offerings, see www.californiafaucets.com

Codes/Standards Applicable

- Meets or exceeds the following at date of manufacture:
- ASME A112.18.1/CSA B125.1

SB-62



ALL DIMENSIONS SHOWN TO NEAREST 1/16"