



California Faucets®

Tel: 714-891-7797
Fax: 714-891-2478
Toll Free: 800-822-8855
www.calfaucets.com

3/4" IN-WALL STOP VALVE

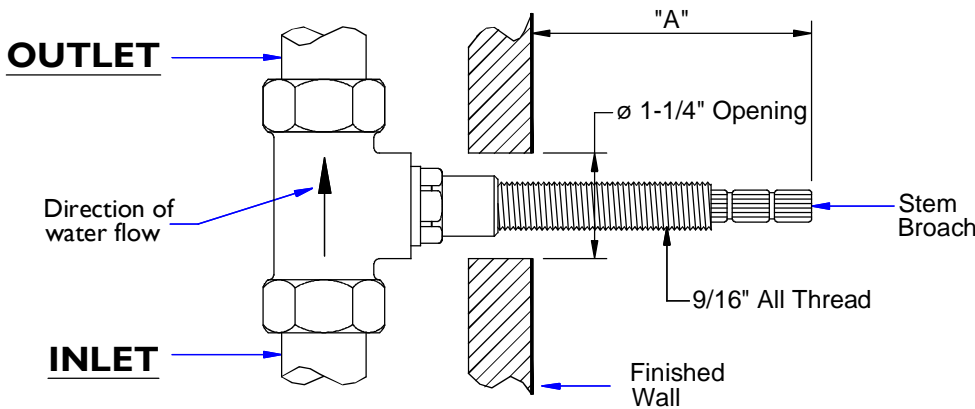
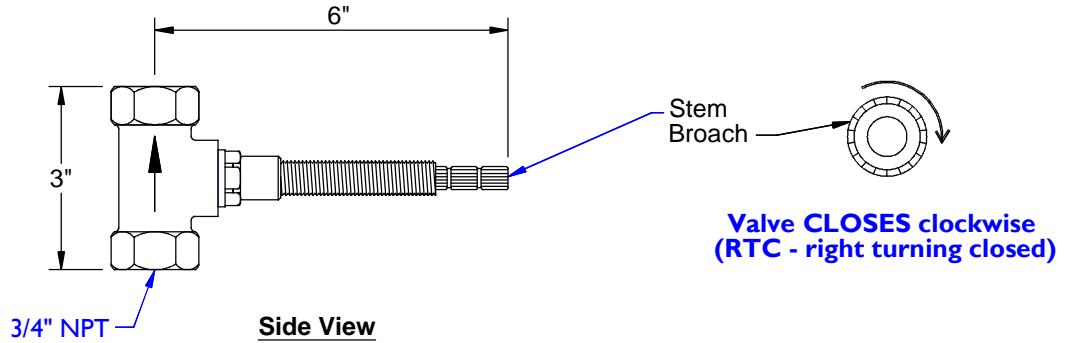
75-W-R

**INSTALLATION
INSTRUCTIONS**

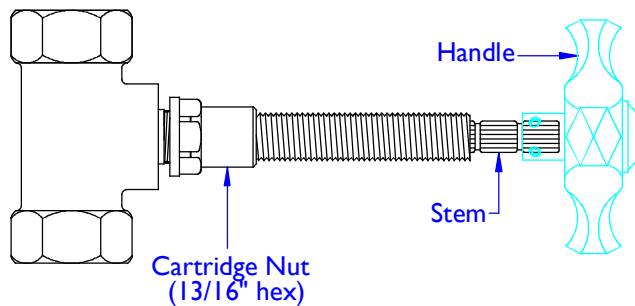
IMPORTANT

All California Faucets® products are engineered to provide quality performance provided they are installed and operated properly. To fully enjoy the comfort, safety, and reliability of your new In-Wall Stop Valve, please install per specifications below.

California Faucets reserves the right to make modification and specification changes at any time. Please visit www.calfaucets.com for most current technical data.



NOTE: Valve must be installed according to direction of flow



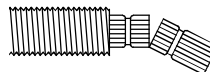
DIMENSION

"A" Dimension is from finished wall to tip of stem broach

HANDLE SERIES NO.	"A"
33	2-3/8"
34	2-3/8"
35	2-3/8"
36	2-3/8"
38	2-5/8"
40	2-5/8"
42	2-5/8"
44	2-7/16"
46	2-1/2"
47	2-1/2"
48	2-5/16"
50	2-1/4"
51	2-1/2"
53	2-1/4"
55	2-5/8"
57	2"
59	2-5/8"
60	2-1/4"
62	1-7/16"
63	3"
64	2-5/8"
65	2-1/8"
66	2-1/8"
67	2-1/4"
68	2-3/8"
69	2-3/8"
70	1-3/8"
71	1"
72	1"
73	1"

NOTE: In some cases, it may be necessary to re-align cartridge Stem to achieve desired handle alignment. To align stem, slightly loosen in a CCW direction the Cartridge Nut. Place Handle on Stem and **TIGHTEN** in a CW direction until desired alignment of handle is achieved. Retighten Cartridge Nut to factory torque setting of 14 ft-lbs. (Cartridge Nut size is 13/16" hex)

WARNING: Cartridge Nut **MUST** be properly torqued to prevent possible failure and/or water damage.



NOTE: When fitting handle it may be necessary to shorten broach stem and/or all thread to eliminate gaps between handle & escutcheon.