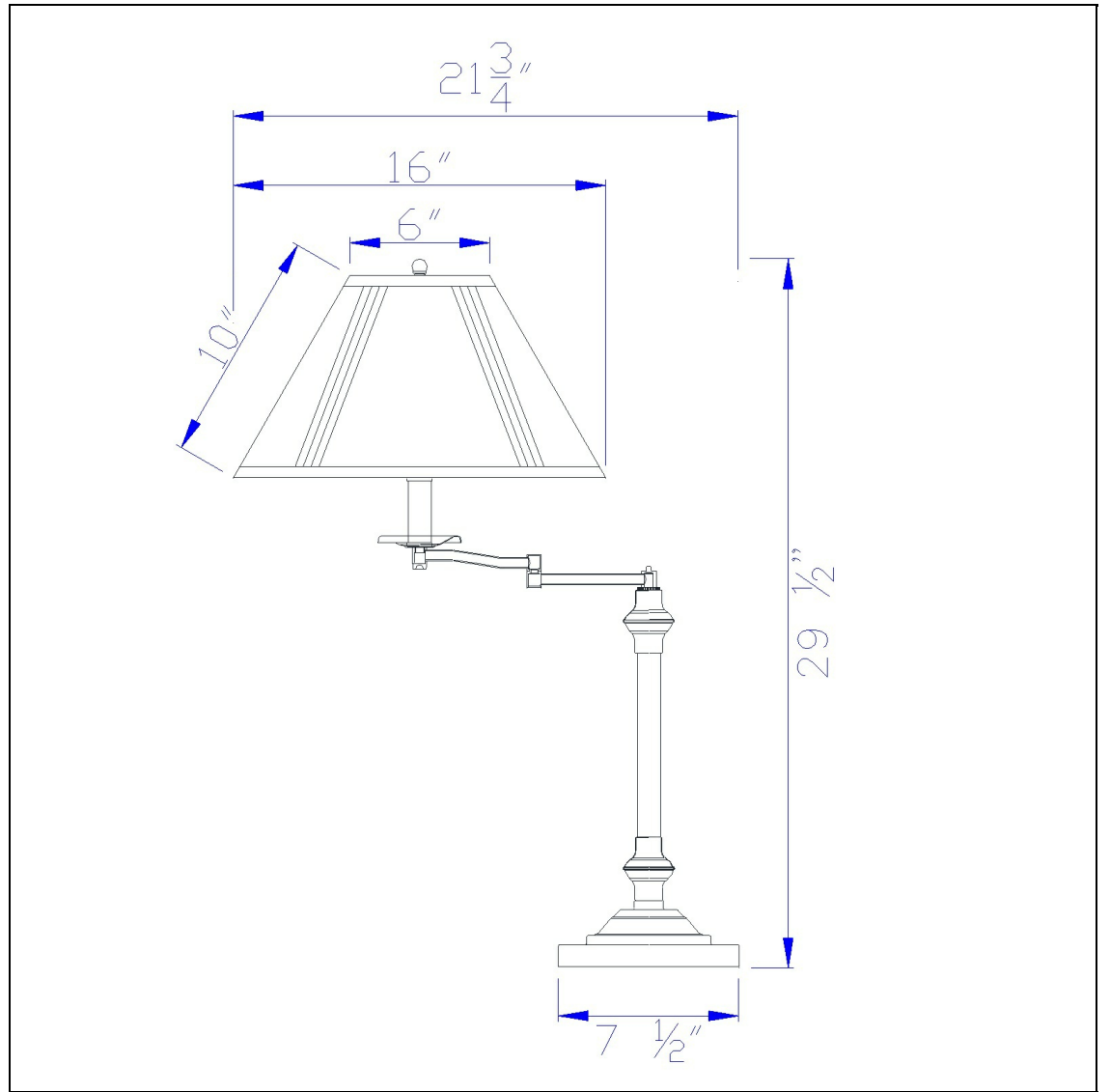


Product No. **BO-342-DB**



Description

150W 3 WAY SWING ARM TABLE LAMP
Durable metal construction
Fully functional swing arm
Little to no assembly required
Six foot power cord
Uses spider type shade
29.5" Height Metal Table Lamp in Dark Bronze

Technical Specifications

UPC	020193067284	Carton 1 Dimensions	8.50 x 20.50 x 20.50
Wattage	150W	Carton 2 Dimensions	0.00 x 0.00 x 20.50
Switch Type	3-Way	Carton 3 Dimensions	18.00 x 18.00 x 12.00
Bulb Base	E26	Package Dimensions	L: 20.50 W: 20.50 H: 8.50
Number of Lights	1		
Color	Dark Bronze		
Base Color	Dark Bronze		