



CAL LIGHTING

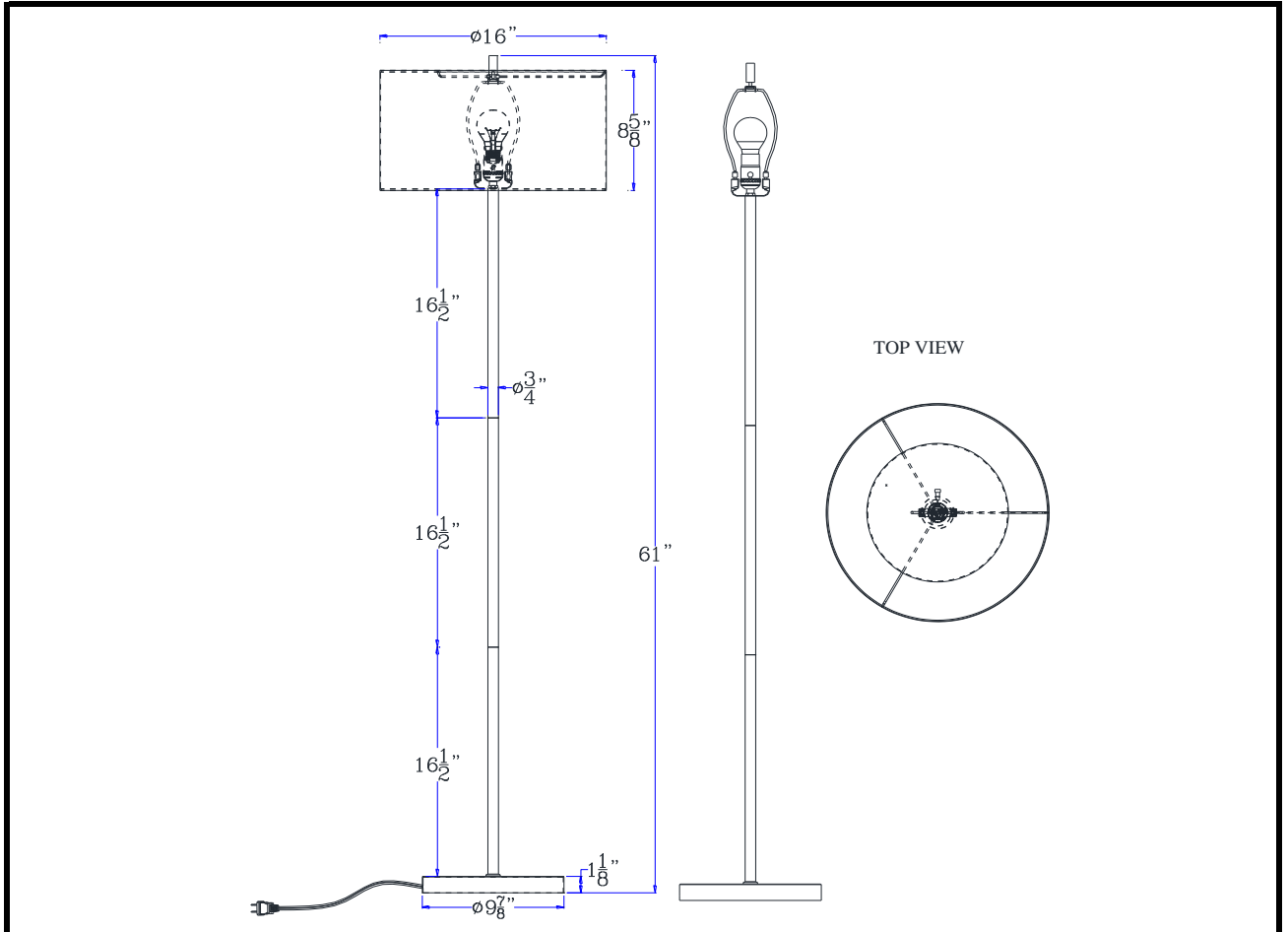
3625 E. Philadelphia St. Ontario CA. 91761. Tel: 909.947.5200. Fax: 909.947.5673. www.calighting.com. service@calighting.com.
Specifications subject to change without notice

Type: _____

Project: _____

Catalog No.: EC-1013FL

Lamp/Wattage: _____



- Model No:** EC-1013FL
- Description:** 100 Watt Octavia Black Metal Pole Lamp with Kraft Shade
- Material:** Metal
- Finish :** Black
- Height:** 61"
- Reach/Depth:** 16"
- Base Width:** Dia.9 7/8"
- Wattage :** 100W
- Socket :** Medium Base (E26)
- Switch:** On/off
- Bulb:** Incandescent, CFL, LED
- Wire Length:** 6'
- Wire Color:** Black
- Shade No:**
- Material:** Kraft
- Shade size:** 16" X 16" X 8 5/8"
- Certificate :** 