

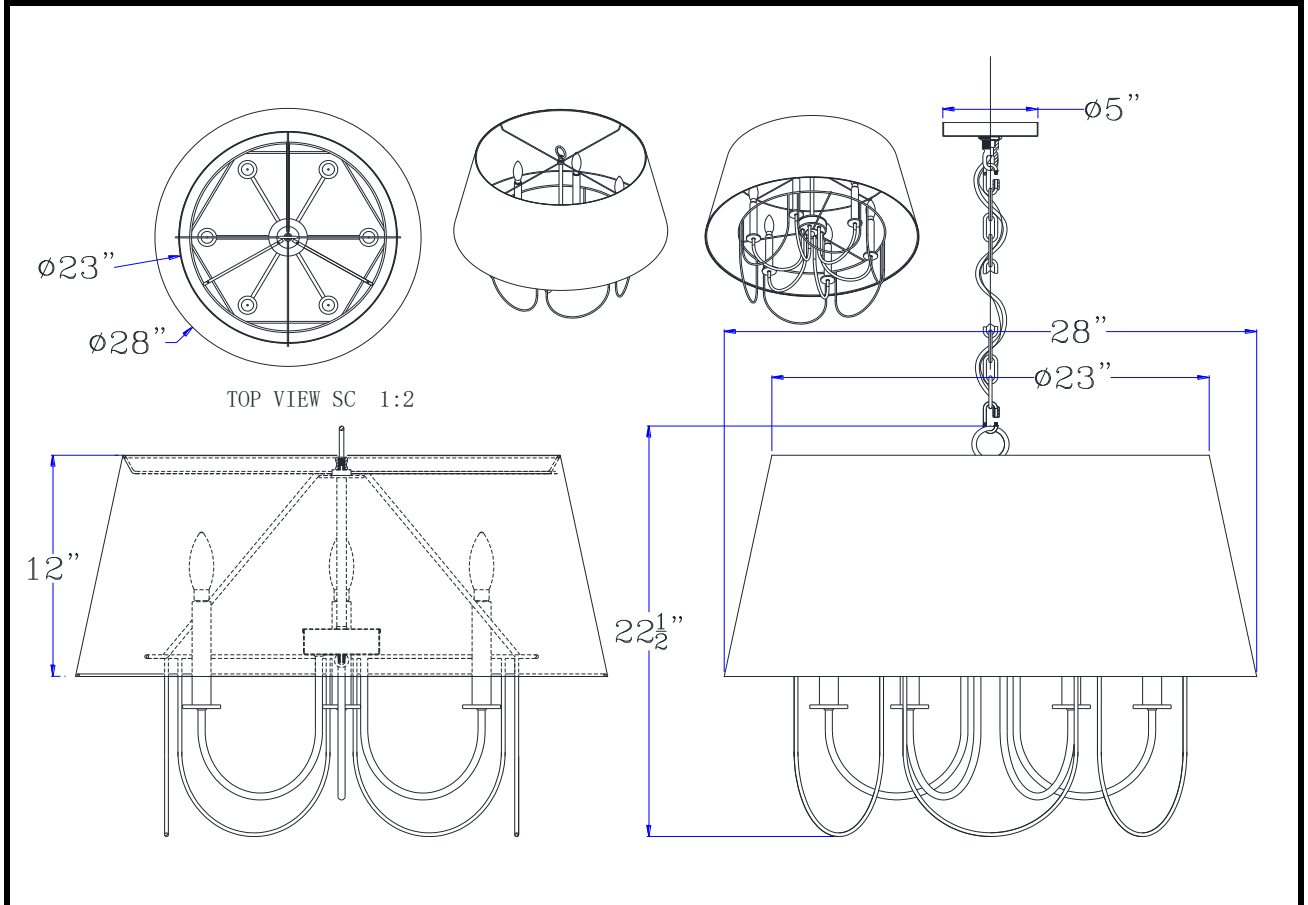


# CAL LIGHTING

3625 E. Philadelphia St. Ontario CA. 91761. Tel: 909.947.5200. Fax:  
909.947.5673. www.calighting.com. service@calighting.com.  
Specifications subject to change without notice

Type: \_\_\_\_\_  
Project: \_\_\_\_\_  
Catalog No.: **FX-3817-6**  
Lamp/Wattage: \_\_\_\_\_

## Drawing:



**Model No:** FX-3817-6  
**Description:** 60W x 6 Eupora metal chandelier with burlap shade  
**Material:** Metal  
**Finish :** Antique Brass / Black  
**Height:** 22 1/2"  
**Width:** 28"  
**Reach:** 28"  
**Canopy:** Dia. 5"  
**Wattage :** 60W X 6  
**Socket :** Candelabra Base (E12)  
**Bulb:** Incandescent  
**Wire Length:** 10'  
**Chain Length:** 6'  
**Wire Color:** Gold  
**Shade No:**  
**Material:** Fabric  
**Shade size:** 23" X 28" X 12"

**Certificate :**

