



CAL LIGHTING

3625 E. Philadelphia St. Ontario CA. 91761. Tel: 909.947.5200. Fax:
909.947.5673. www.calighting.com. service@calighting.com.
Specifications subject to change without notice

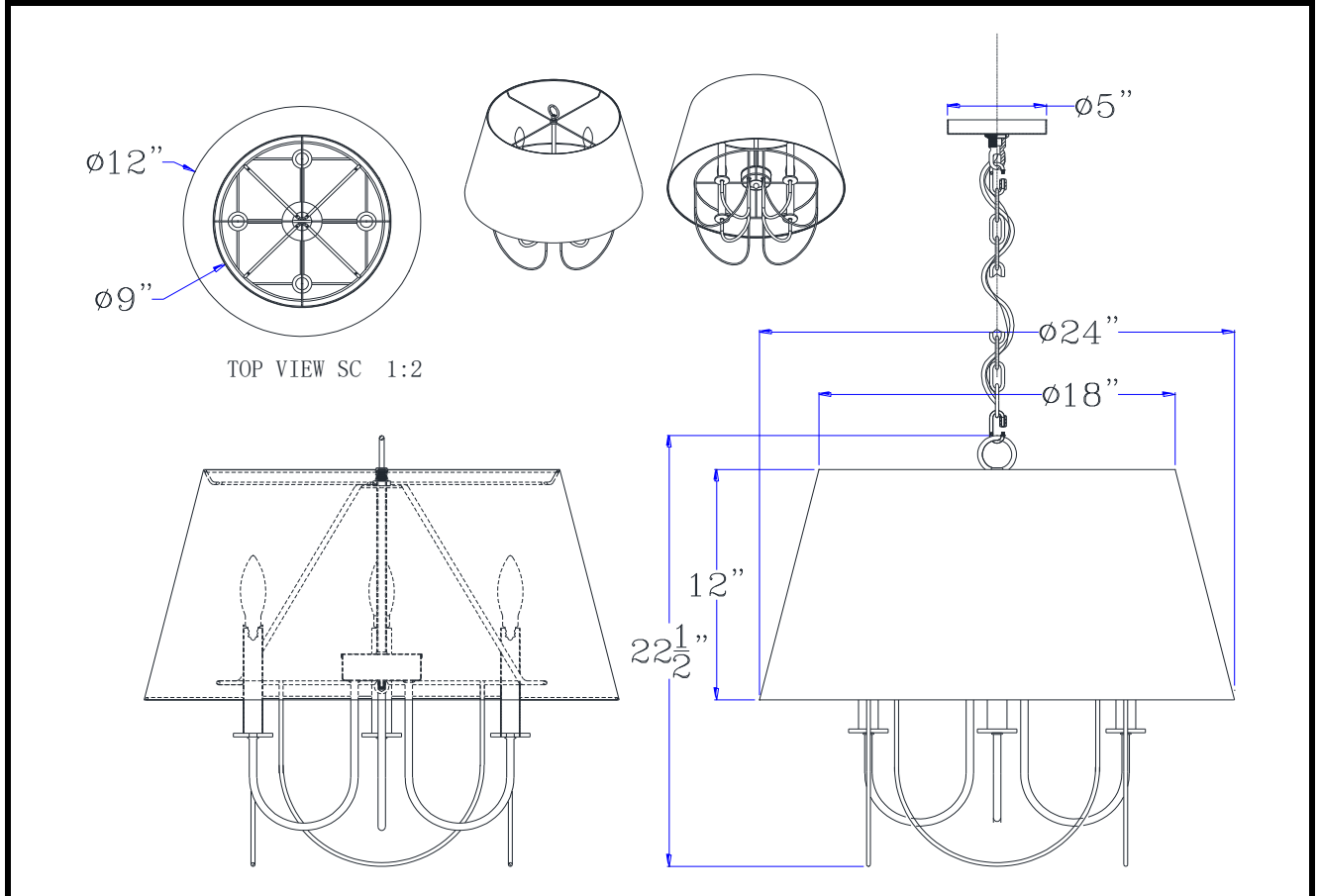
Type: _____

Project: _____

Catalog No.: **FX-3817-4**

Lamp/Wattage: _____

Drawing:



- Model No:** FX-3817-4
Description: 60W x 4 Eupora metal chandelier with burlap shade
Material: Metal
Finish : Antique Brass / Black
Height: 22 1/2"
Width: 24"
Reach: 24"
Canopy: Dia. 5"
Wattage : 60W X 4
Socket : Candelabra Base (E12)
Bulb: Incandescent
Wire Length: 10'
Chain Length: 6'
Wire Color: Gold
Shade No:
Material: Fabric
Shade size: 18" X 24" X 12"

Certificate :

