



CAL LIGHTING

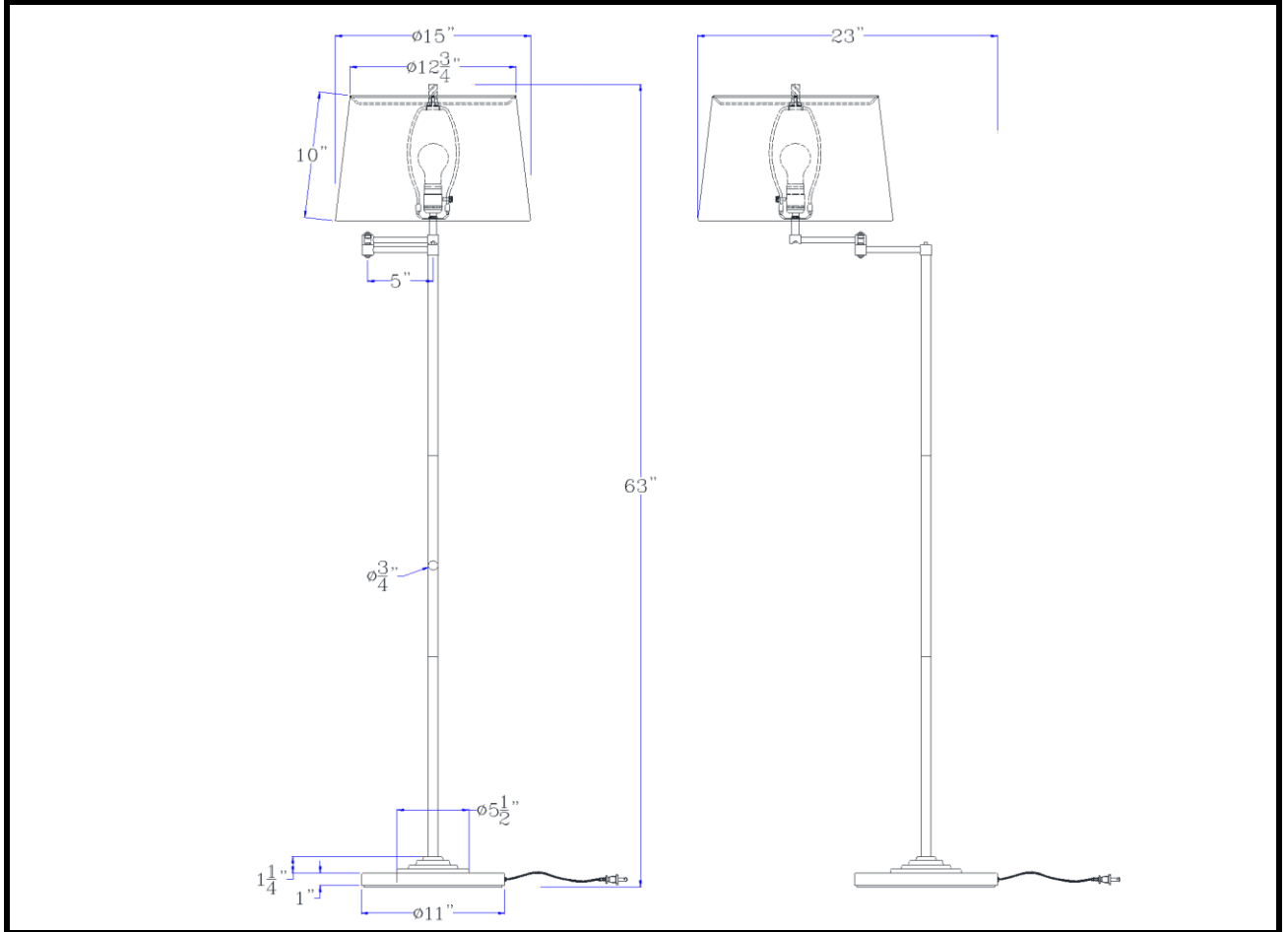
3625 E. Philadelphia St. Ontario CA. 91761. Tel: 909.947.5200. Fax: 909.947.5673. www.calighting.com. service@calighting.com.
Specifications subject to change without notice

Type: _____

Project: _____

Catalog No.: **BO-3198FL-AB**

Lamp/Wattage: _____



- Model No:** BO-3198FL-AB
- Description:** 150W 3 way Colton double swing arm floor lamp
- Material:** Metal
- Finish :** Anitque Brass
- Height:** 63"
- Reach/Depth:** 23"
- Base Width:** Dia.11"
- Wattage :** 150W
- Socket :** Medium Base (E26)
- Switch:** 3-WAY
- Bulb:** Incandescent, CFL
- Wire Length:** 6'
- Wire Color:** Gold
- Shade No:**
- Material:** Fabric
- Shade size:** 12 3/4"X15"X10"
- Certificate :** 