



CAL LIGHTING

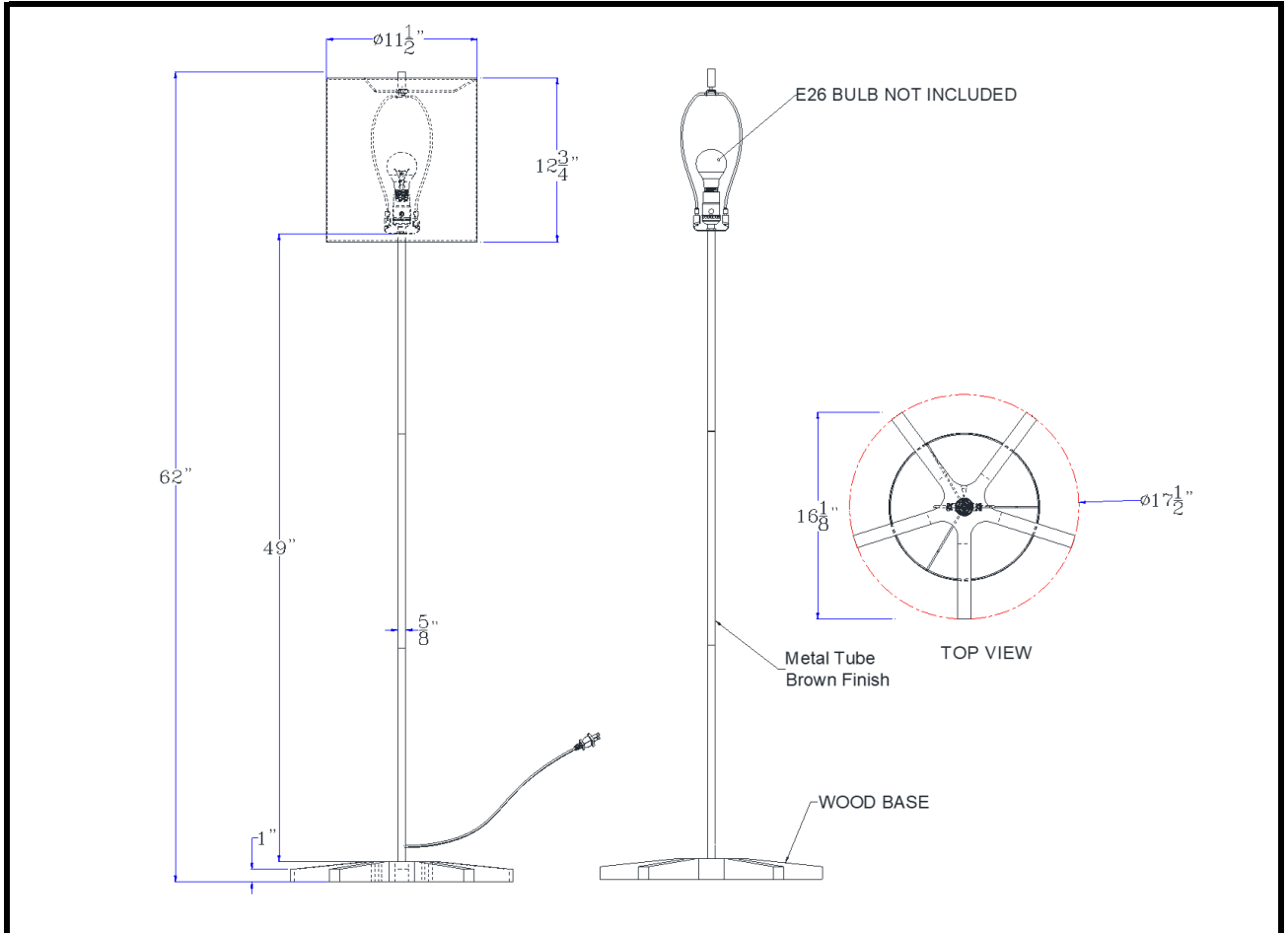
3625 E. Philadelphia St. Ontario CA. 91761. Tel: 909.947.5200. Fax: 909.947.5673. www.calighting.com. service@calighting.com.
Specifications subject to change without notice

Type: _____

Project: _____

Catalog No.: **BO-3196FL**

Lamp/Wattage: _____



- Model No:** BO-3196FL
- Description:** 100W metal floor lamp with wooden base
- Material:** Metal/Wood
- Finish :** Light Oak
- Height:** 62"
- Reach/Depth:** 16 1/8"
- Base Width:** Dia.17 1/2"
- Wattage :** 100W
- Socket :** Medium Base (E26)
- Switch:** On/off
- Bulb:** Incandescent, CFL
- Wire Length:** 6'
- Wire Color:** Silver
- Shade No:**
- Material:** Fabric
- Shade size:** 11 1/2"X11 1/2"X12 3/4"

Certificate : 