



CAL LIGHTING

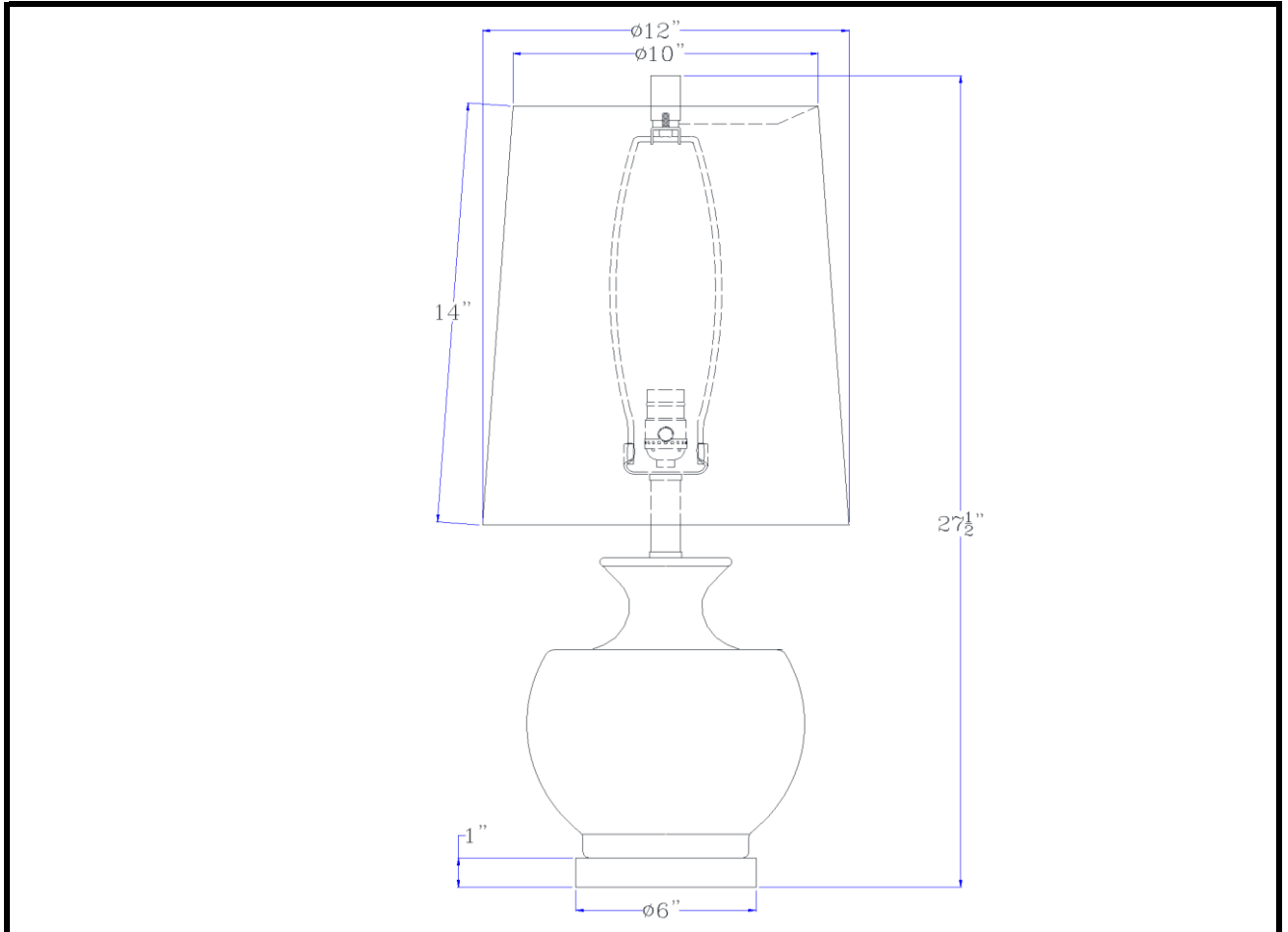
3625 E. Philadelphia St. Ontario CA. 91761. Tel: 909.947.5200. Fax: 909.947.5673. www.calighting.com. service@calighting.com.
Specifications subject to change without notice

Type: _____

Project: _____

Catalog No.: **BO-3195TB-2**

Lamp/Wattage: _____



- Model No:** BO-3195TB-2
- Description:** 100W Kawela ceramic table lamp with crystal base. Sold in pairs
- Material:** Ceramic
- Finish :** Mustard Green
- Height:** 27 1/2"
- Reach/Depth:** 12"
- Base Width:** Dia6"
- Wattage :** 100W
- Socket :** Medium Base (E26)
- Switch:** On/off
- Bulb:** Incandescent,CFL
- Wire Length:** 6'
- Wire Color:** Silver
- Shade No:**
- Material:** Fabric
- Shade size:** 10"X12"X14"
- Certificate :** 