



# CAL LIGHTING

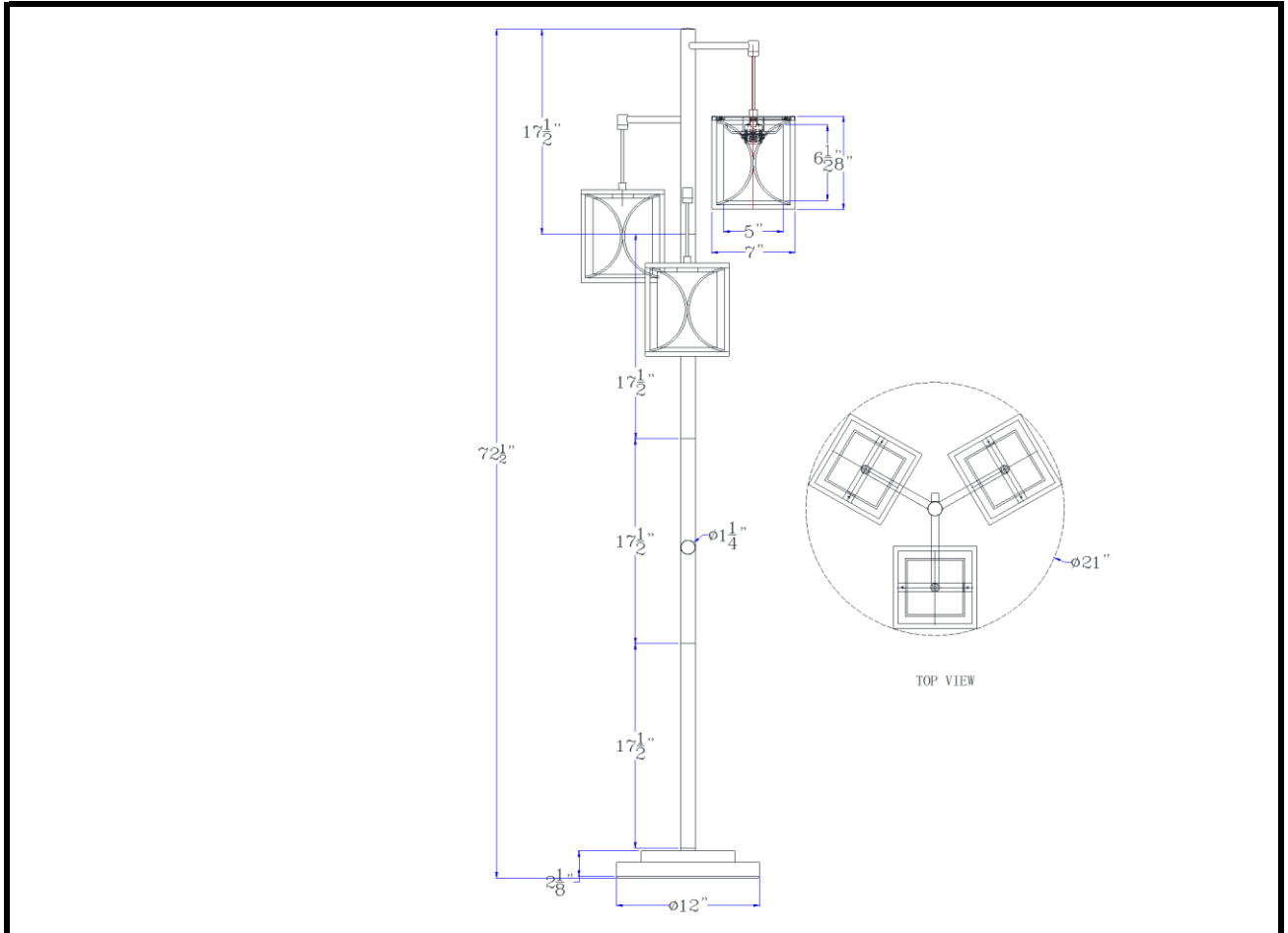
3625 E. Philadelphia St. Ontario CA. 91761. Tel: 909.947.5200. Fax: 909.947.5673. www.calighting.com. service@calighting.com.  
Specifications subject to change without notice

Type: \_\_\_\_\_

Project: \_\_\_\_\_

Catalog No.: **BO-3193FL**

Lamp/Wattage: \_\_\_\_\_



- Model No:** BO-3193FL  
**Description:** 60W x 3 Lantern metal floor lamp with metal framed fabric shades  
**Material:** Metal  
**Finish :** Black Iron  
**Height:** 72 1/2"  
**Reach/Depth:** 21"  
**Base Width:** Dia.12"  
**Wattage :** 60W x 3  
**Socket :** Medium Base (E26)  
**Switch:** 3-WAY  
**Bulb:** Incandescent  
**Wire Length:** 6'  
**Wire Color:** Black  
**Shade No:**  
**Material:** Fabric/Metal  
**Shade size:** 7"X7"X7"X7"X8"  
**Certificate :** 