



# CAL LIGHTING

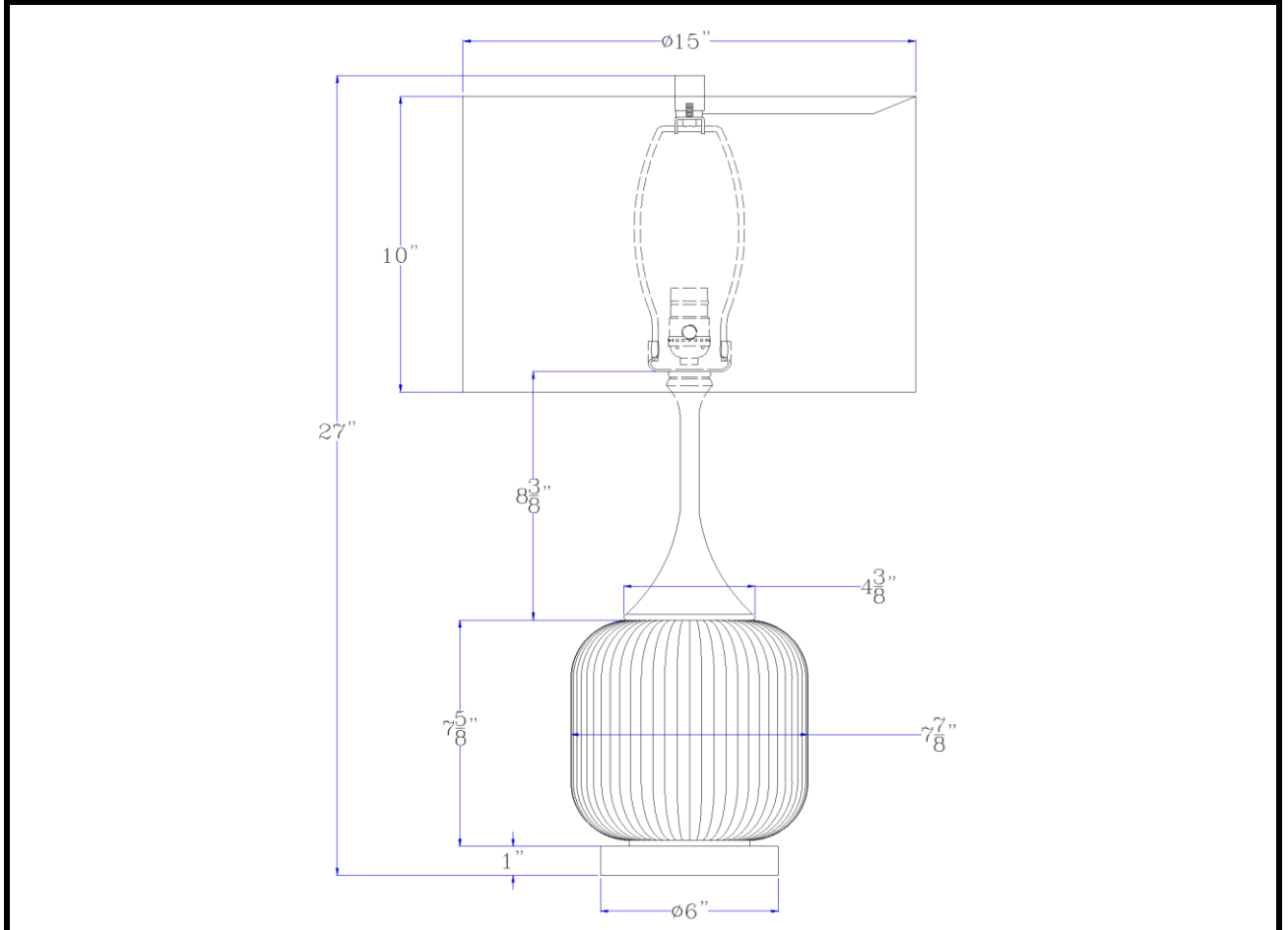
3625 E. Philadelphia St. Ontario CA. 91761. Tel: 909.947.5200. Fax: 909.947.5673. www.calighting.com. service@calighting.com.  
Specifications subject to change without notice

Type: \_\_\_\_\_

Project: \_\_\_\_\_

Catalog No.: **BO-3192TB-2**

Lamp/Wattage: \_\_\_\_\_



- Model No:** BO-3192TB-2
- Description:** 150W 3 way Palmyra metal/glass table lamp. Sold in pairs
- Material:** Metal/Glass
- Finish :** White Washed
- Height:** 27"
- Reach/Depth:** 15"
- Base Width:** Dia.6"
- Wattage :** 150W
- Socket :** Medium Base (E26)
- Switch:** 3-WAY
- Bulb:** Incandescent, CFL
- Wire Length:** 6'
- Wire Color:** Silver
- Shade No:**
- Material:** Fabric
- Shade size:** 15"X15"X10"
- Certificate :** 