



# CAL LIGHTING

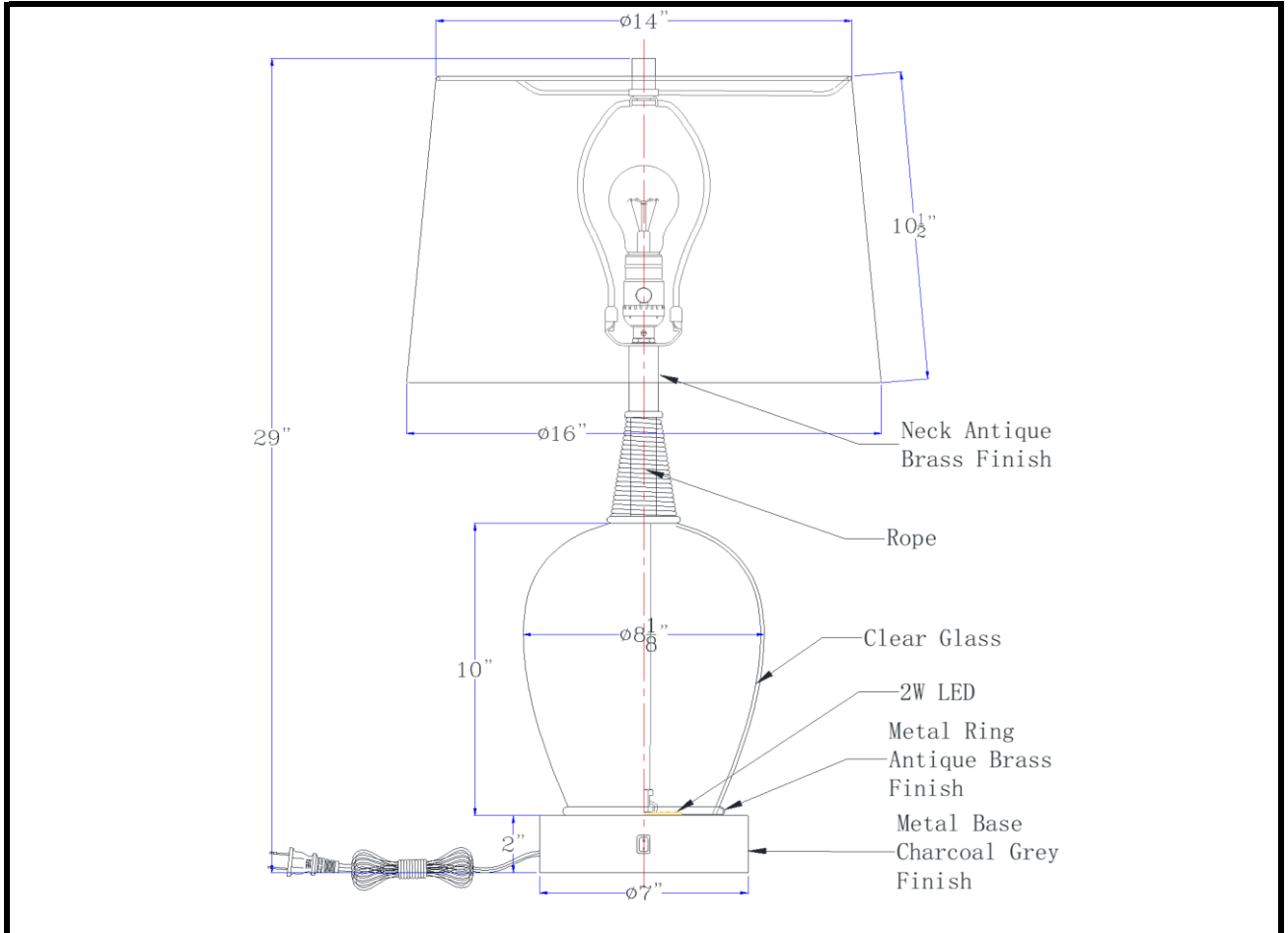
3625 E. Philadelphia St. Ontario CA. 91761. Tel: 909.947.5200. Fax: 909.947.5673. www.calighting.com. service@calighting.com.  
Specifications subject to change without notice

Type: \_\_\_\_\_

Project: \_\_\_\_\_

Catalog No.: **BO-3185TB**

Lamp/Wattage: \_\_\_\_\_



- Model No:** BO-3185TB
- Description:** 100W LED Vega metal/frosted glass table lamp with 2W LED night light
- Material:** Metal/Glass
- Finish :** Iron Grey / Frosted Glass
- Height:** 29"
- Reach/Depth:** 16"
- Base Width:** Dia.7"
- Wattage :** 100W+2W
- Socket :** Medium Base (E26)+LED
- Switch:** On/off
- Bulb:** Incandescent, CFL
- Wire Length:** 6'
- Wire Color:** Black
- Shade No:**
- Material:** Fabric
- Shade size:** 14"X16"X10 1/2"
- Certificate :** 