



# CAL LIGHTING

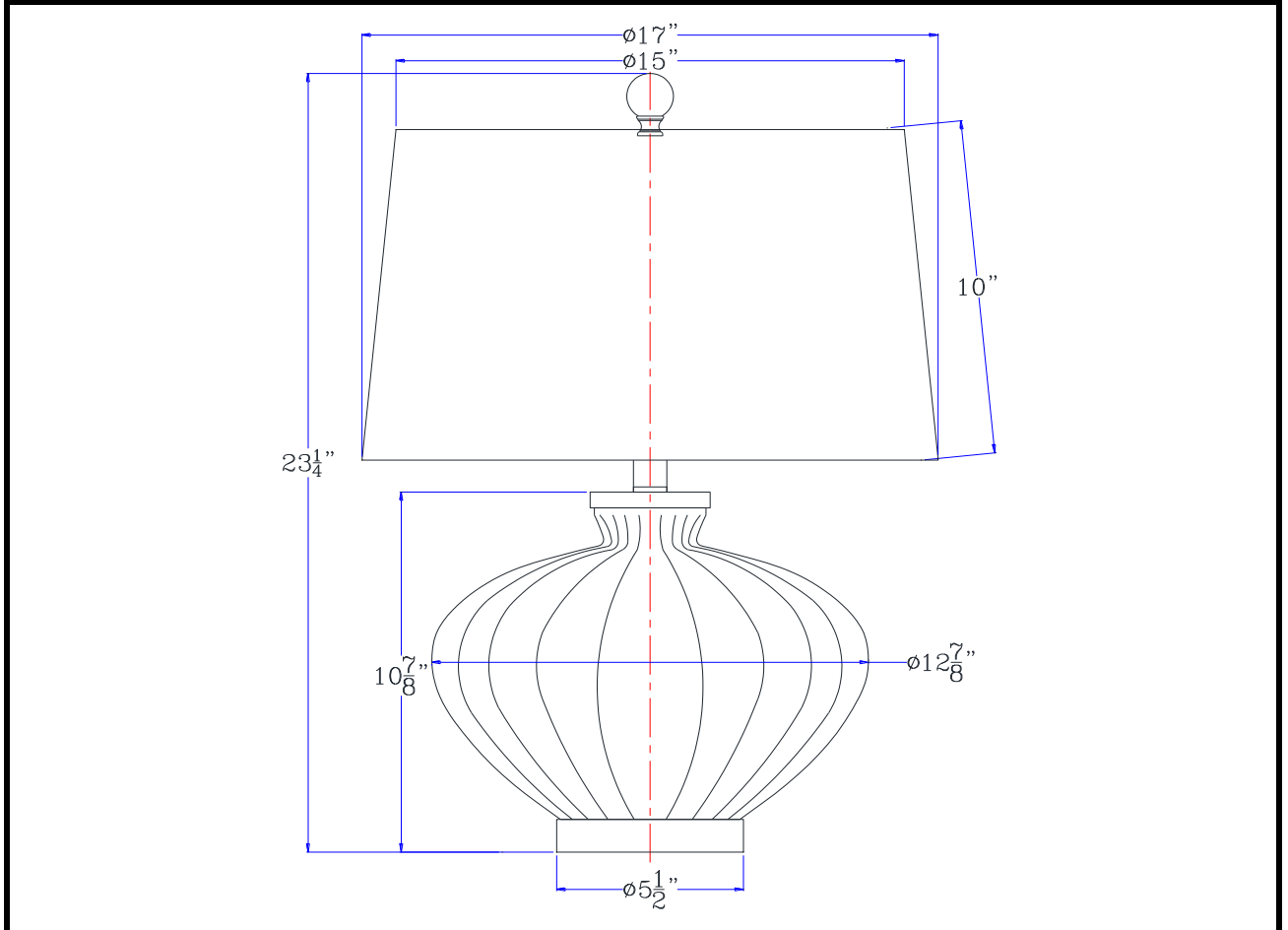
3625 E. Philadelphia St. Ontario CA. 91761. Tel: 909.947.5200. Fax: 909.947.5673. www.calighting.com. service@calighting.com.  
Specifications subject to change without notice

Type: \_\_\_\_\_

Project: \_\_\_\_\_

Catalog No.: **BO-3183TB-2**

Lamp/Wattage: \_\_\_\_\_



- Model No:** BO-3183TB-2
- Description:** 150W 3 way Delta glass table lamp. Sold in pairs
- Material:** Glass/Metal
- Finish :** Glass
- Height:** 23 1/4"
- Reach/Depth:** 17"
- Base Width:** Dia.5 1/2"
- Wattage :** 150W
- Socket :** Medium Base (E26)
- Switch:** 3-WAY
- Bulb:** Incandescent, CFL
- Wire Length:** 6'
- Wire Color:** Silver
- Shade No:**
- Material:** Fabric
- Shade size:** 15"X17"X10"
- Certificate :** 