



CAL LIGHTING

3625 E. Philadelphia St. Ontario CA. 91761. Tel: 909.947.5200. Fax: 909.947.5673. www.calighting.com. service@calighting.com.
Specifications subject to change without notice

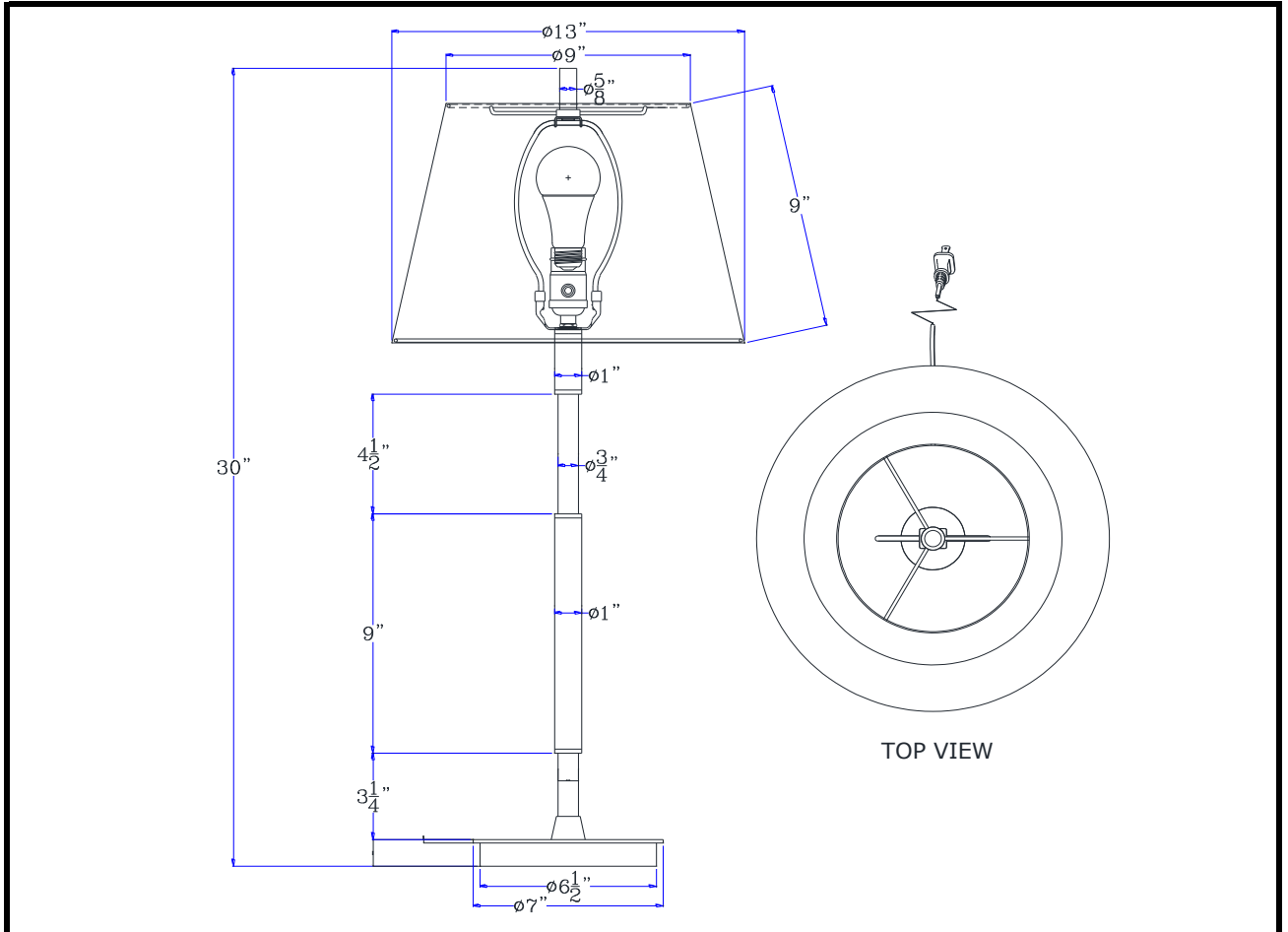
Type: _____

Project: _____

Catalog No.: _____

BO-3182TB-AB

Lamp/Wattage: _____



- Model No:** BO-3182TB-AB
Description: 100W Ciudad metal two tone table lamp
Material: Metal
Finish : Antique Brass / Silver Grey
Height: 30"
Reach/Depth: 13"
Base Width: Dia.7"
Wattage : 100W
Socket : Medium Base (E26)
Switch: On/off
Bulb: Incandescent, CFL
Wire Length: 6'
Wire Color: Gold
Shade No:
Material: Fabric
Shade size: 9 X 13" X 9"
Certificate : 