



CAL LIGHTING

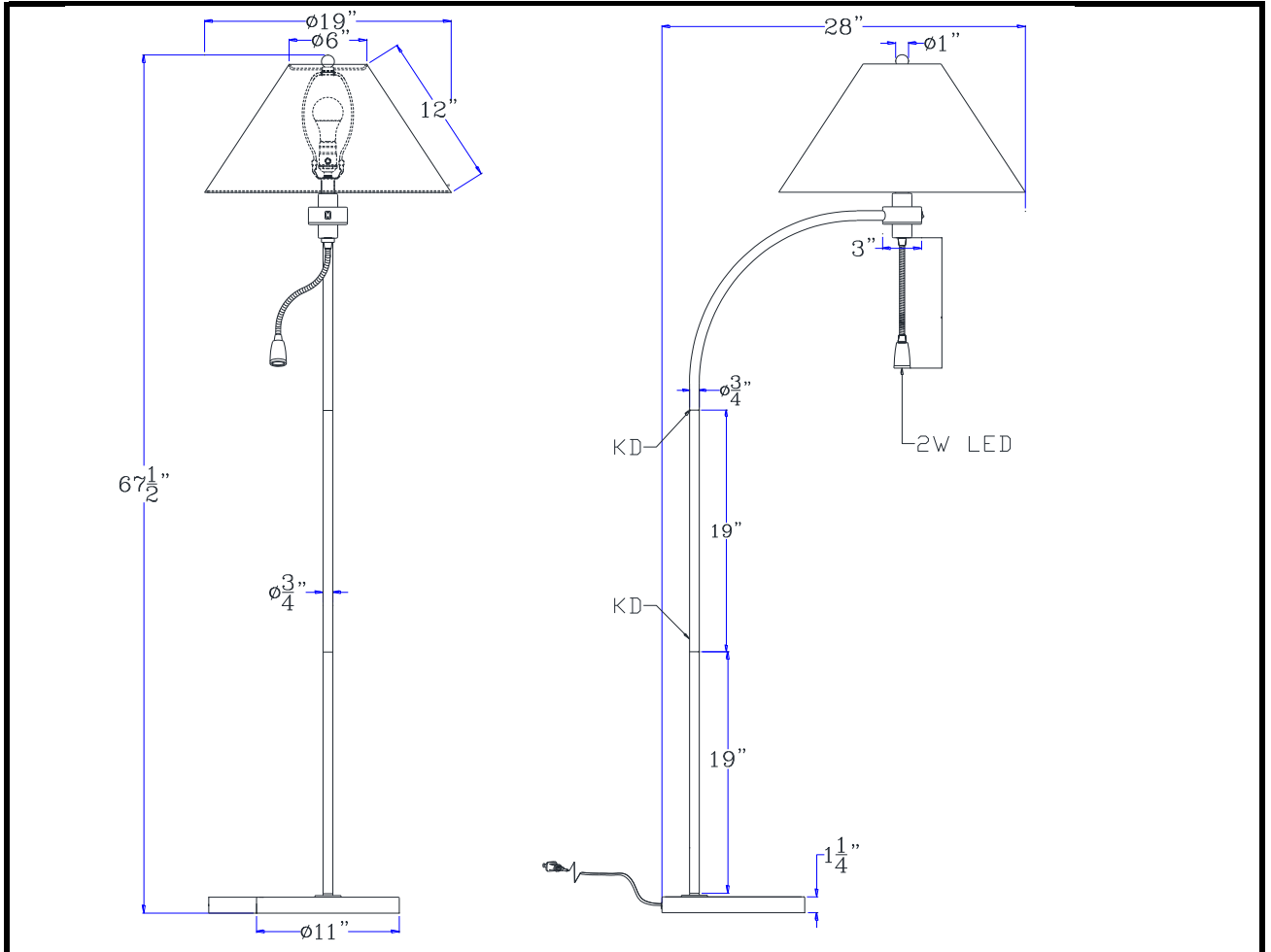
3625 E. Philadelphia St. Ontario CA. 91761. Tel: 909.947.5200. Fax: 909.947.5673. www.calighting.com. service@calighting.com.
Specifications subject to change without notice

Type: _____

Project: _____

Catalog No.: **BO-3178FL-AB**

Lamp/Wattage: _____



- Model No:** BO-3178FL-AB
- Description:** 100W Ashland mini arc metal floor lamp with gooseneck 2W LED reading light
- Material:** Metal
- Finish :** Antique Brass
- Height:** 67 1/2"
- Reach/Depth:** 28"
- Base Width:** Dia.11"
- Wattage :** 100W+LED2W
- Socket :** Medium Base (E26)+LED
- Switch:** On/off+On/Off Rocker
- Bulb:** Incandescent, LED
- Wire Length:** 6'
- Wire Color:** Gold
- Shade No:**
- Material:** Fabric
- Shade size:** 6"X19"X12"
- Certificate :**

