



# CAL LIGHTING

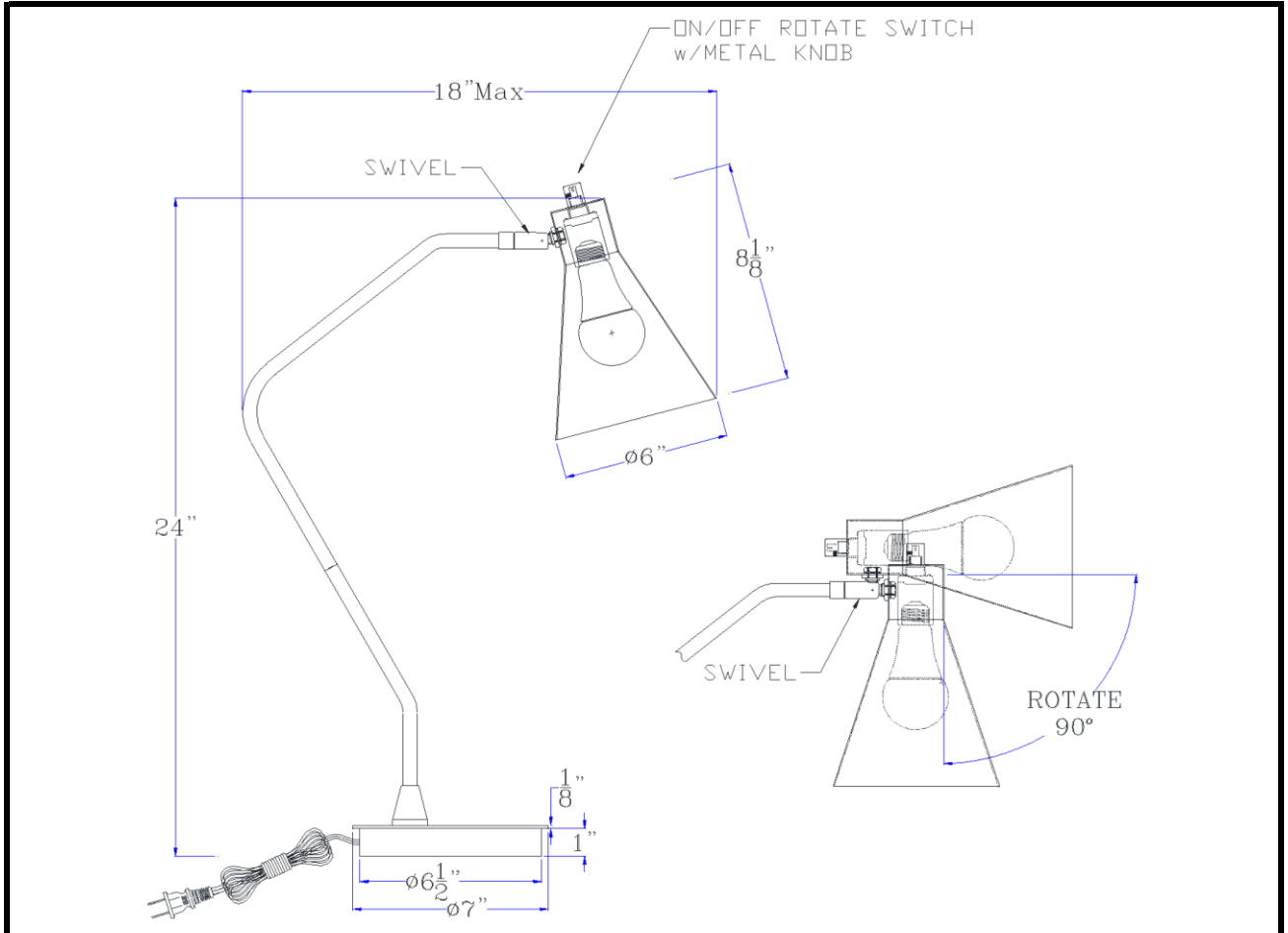
3625 E. Philadelphia St. Ontario CA. 91761. Tel: 909.947.5200. Fax: 909.947.5673. www.calighting.com. service@calighting.com.  
Specifications subject to change without notice

Type: \_\_\_\_\_

Project: \_\_\_\_\_

Catalog No.: **BO-3177TB-AB**

Lamp/Wattage: \_\_\_\_\_



- Model No:** BO-3177TB-AB  
**Description:** Type A LED bulb 12W max. Capstone task metal table lamp with swivel shade  
**Material:** Metal  
**Finish :** Antique Brass  
**Height:** 24"  
**Reach/Depth:** 18"  
**Base Width:** Dia.7"  
**Wattage :** LED 12W  
**Socket :** Medium Base (E26)  
**Switch:** On/off  
**Bulb:** LED  
**Wire Length:** 6'  
**Wire Color:** Gold  
**Shade No:**  
**Material:** Metal  
**Shade size:** Dia.6" H 8 1/8"  
**Certificate :** 