



CAL LIGHTING

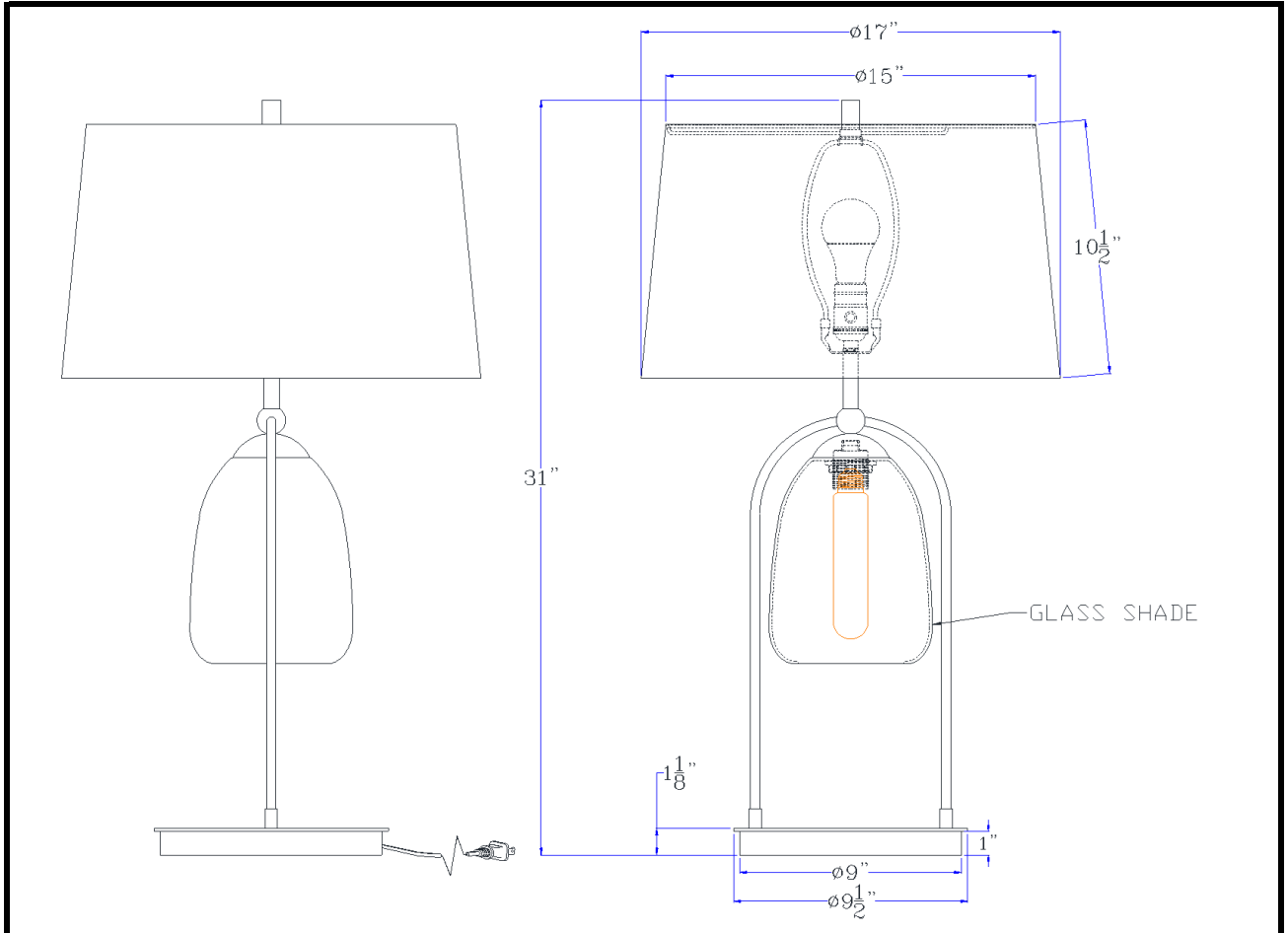
3625 E. Philadelphia St. Ontario CA. 91761. Tel: 909.947.5200. Fax: 909.947.5673. www.calighting.com. service@calighting.com.
Specifications subject to change without notice

Type: _____

Project: _____

Catalog No.: **BO-3175TB**

Lamp/Wattage: _____



- Model No:** BO-3175TB
Description: 100W 3 way Midtown metal table lamp with glass shade and a 5W LED Night light (LED Night Light Included)
Material: Metal/Glass
Finish : Matt Black
Height: 31"
Reach/Depth: 17"
Base Width: Dia.9 1/2"
Wattage : 100W+LED 5W
Socket : Medium Base (E26)
Switch: 3-WAY
Bulb: Incandescent/LED
Wire Length: 6'
Wire Color: Black
Shade No:
Material: Fabric
Shade size: 15"X17"X10 1/2"
Certificate : 