

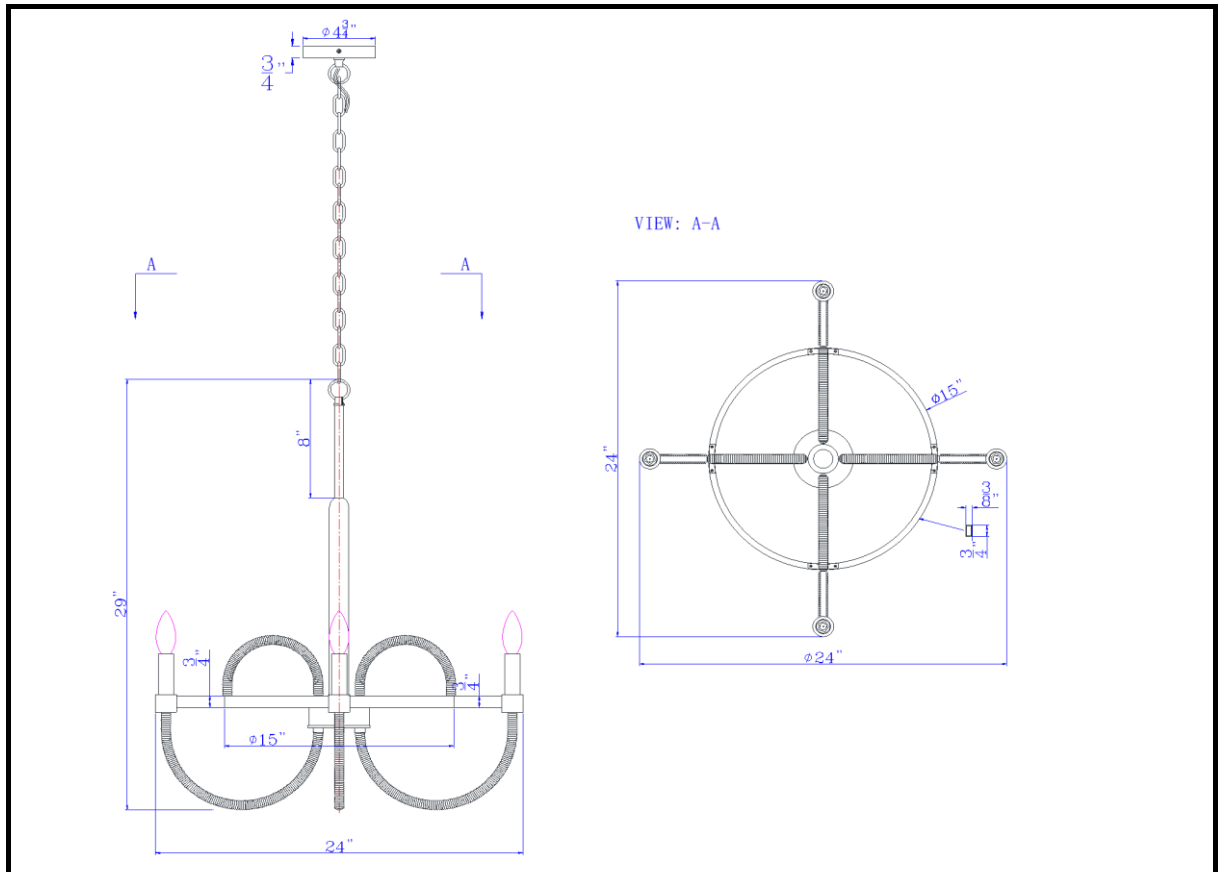


CAL LIGHTING

3625 E. Philadelphia St. Ontario CA. 91761. Tel: 909.947.5200. Fax: 909.947.5673. www.calighting.com. service@calighting.com.
Specifications subject to change without notice

Type: _____
Project: _____
Catalog No.: **FX-3814-4**
Lamp/Wattage: _____

Drawing:



Model No: FX-3814-4
Description: Rowland 60W x 4 metal/burlap roped chandelier
Material: Metal/Rope
Finish : Burlap/charcoal grey
Height: 29"
Width: 24"
Reach: 24"
Canopy: Dia. 4 3/4"
Wattage : 60W X 4
Socket : Candelabra Base (E12)
Bulb: Incandescent
Wire Length: 10'
Chain Length: 6'
Wire Color: Black

Shade No:
Material:
Shade size:

Certificate :

