



CAL LIGHTING

3625 E. Philadelphia St. Ontario CA. 91761. Tel: 909.947.5200. Fax:
909.947.5673. www.calighting.com. service@calighting.com.
Specifications subject to change without notice

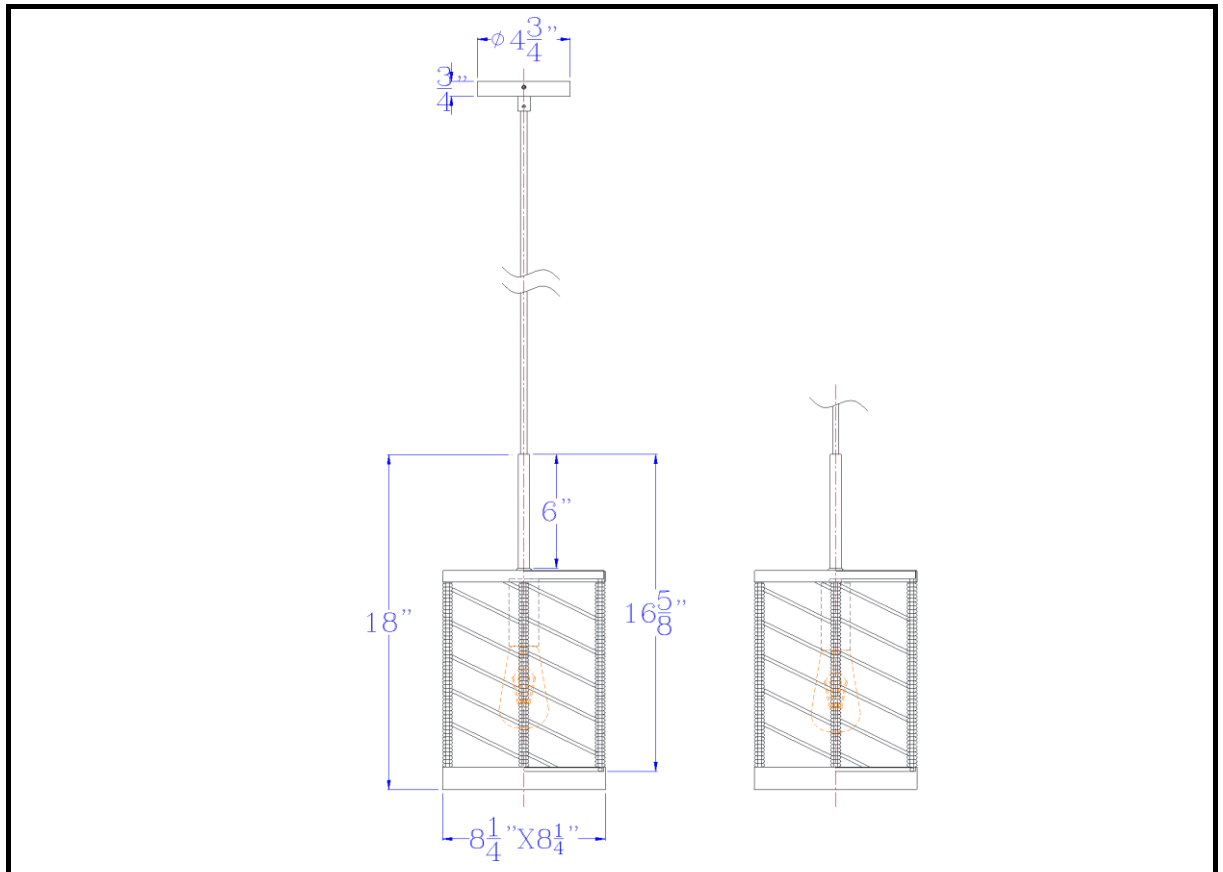
Type: _____

Project: _____

Catalog No.: **FX-3811-1**

Lamp/Wattage: _____

Drawing:



- Model No:** FX-3811-1
Description: Winfall metal with birch wood bottom trim square pendant with burlap roped shade
Material: Metal/Wood
Finish : Burlap/charcoal grey
Height: 18"
Width: 8 1/4"
Reach: 8 1/4"
Canopy: 4 3/4"
Wattage : 60W
Socket : Medium Base (E26)
Bulb: Incandescent
Wire Length: 6'
Wire Color: Black
Shade No:
Material:
Shade size:

Certificate :

