

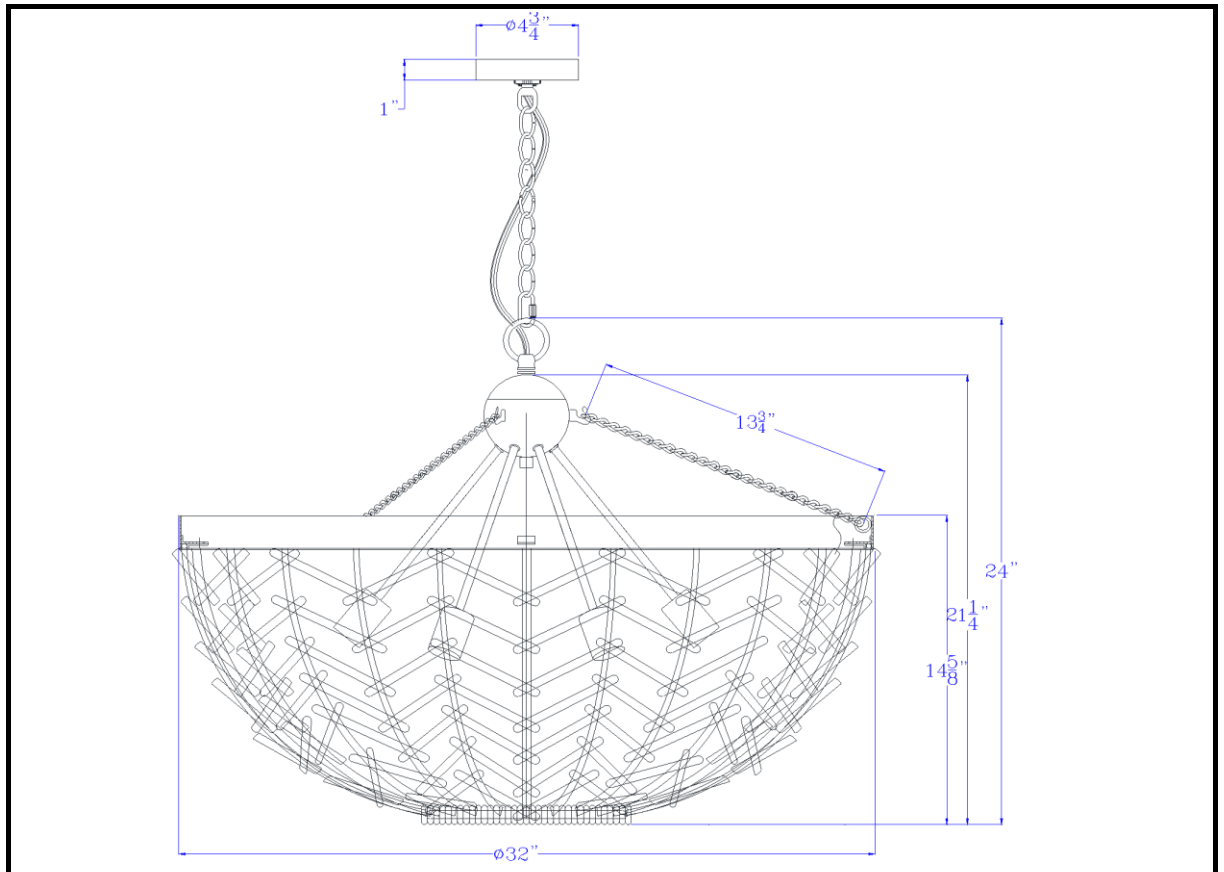


# CAL LIGHTING

3625 E. Philadelphia St. Ontario CA. 91761. Tel: 909.947.5200. Fax:  
909.947.5673. www.calighting.com. service@calighting.com.  
Specifications subject to change without notice

Type: \_\_\_\_\_  
Project: \_\_\_\_\_  
Catalog No.: **FX-3806-6**  
Lamp/Wattage: \_\_\_\_\_

Drawing:



**Model No:** FX-3806-6  
**Description:** Lillington 60W x 6 Metal pendant light with burlap roped half dome shade  
**Material:** Metal/Rope  
**Finish :** Burlap/Black  
**Height:** 24"  
**Width:** 32"  
**Reach:** 32"  
**Canopy:** Dia. 4 3/4"  
**Wattage :** 60W X 6  
**Socket :** Medium Base (E26)  
**Bulb:** G or A type  
**Chain Length:** 6'  
**Wire Length:** 10'  
**Wire Color:** Black  
**Shade No:**  
**Material:**  
**Shade size:**

Certificate :

