



CAL LIGHTING

3625 E. Philadelphia St. Ontario CA. 91761. Tel: 909.947.5200. Fax:
909.947.5673. www.calighting.com. service@calighting.com.
Specifications subject to change without notice

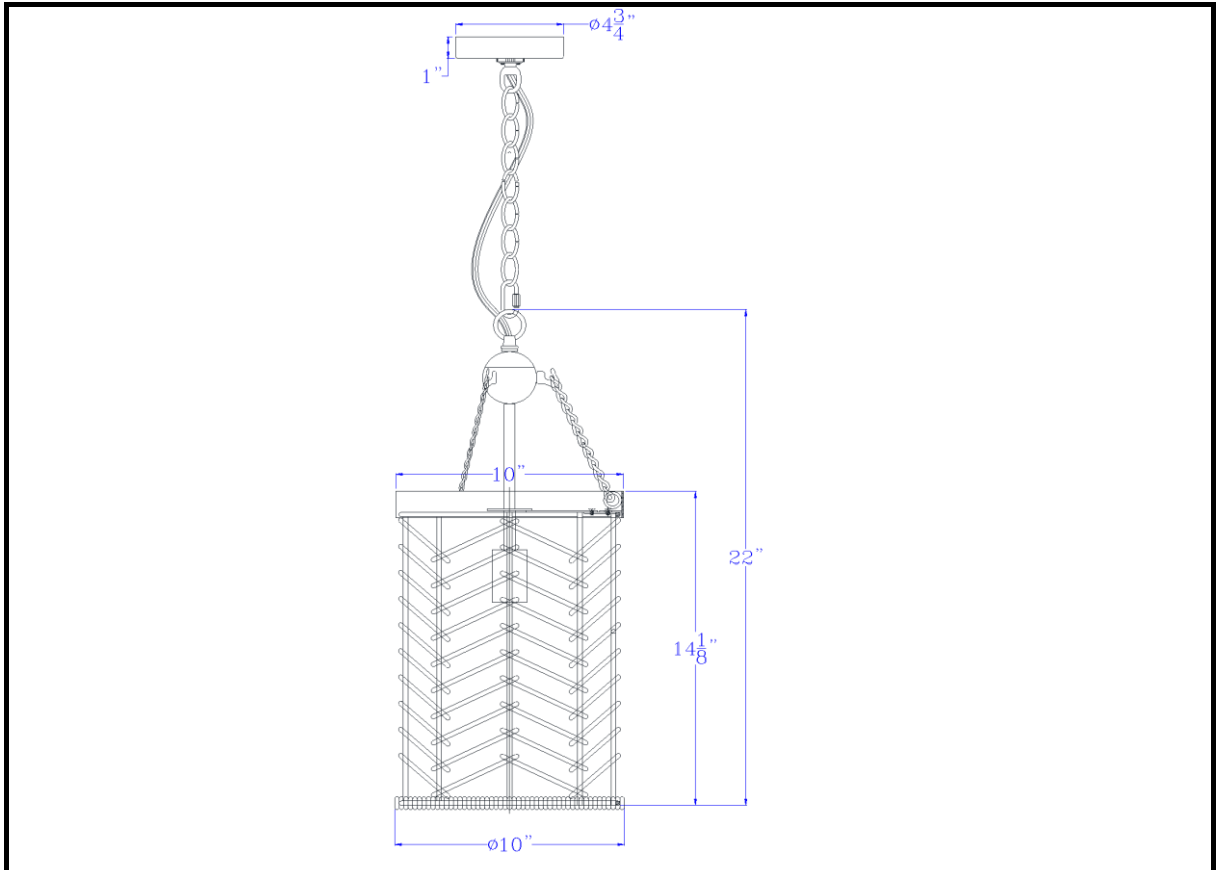
Type: _____

Project: _____

Catalog No.: **FX-3806-1**

Lamp/Wattage: _____

Drawing:



- Model No:** FX-3806-1
Description: Lillington 60W metal pendant light with Burlap Roped Cylinder Shade
Material: Metal/Rope
Finish : Burlap/Black
Height: 22"
Width: 10"
Reach: 10"
Canopy: Dia. 4 3/4"
Wattage : 60W
Socket : Medium Base (E26)
Bulb: G or A type
Chain Length: 6'
Wire Length: 10'
Wire Color: Black
Shade No:
Material:
Shade size:

Certificate :

