

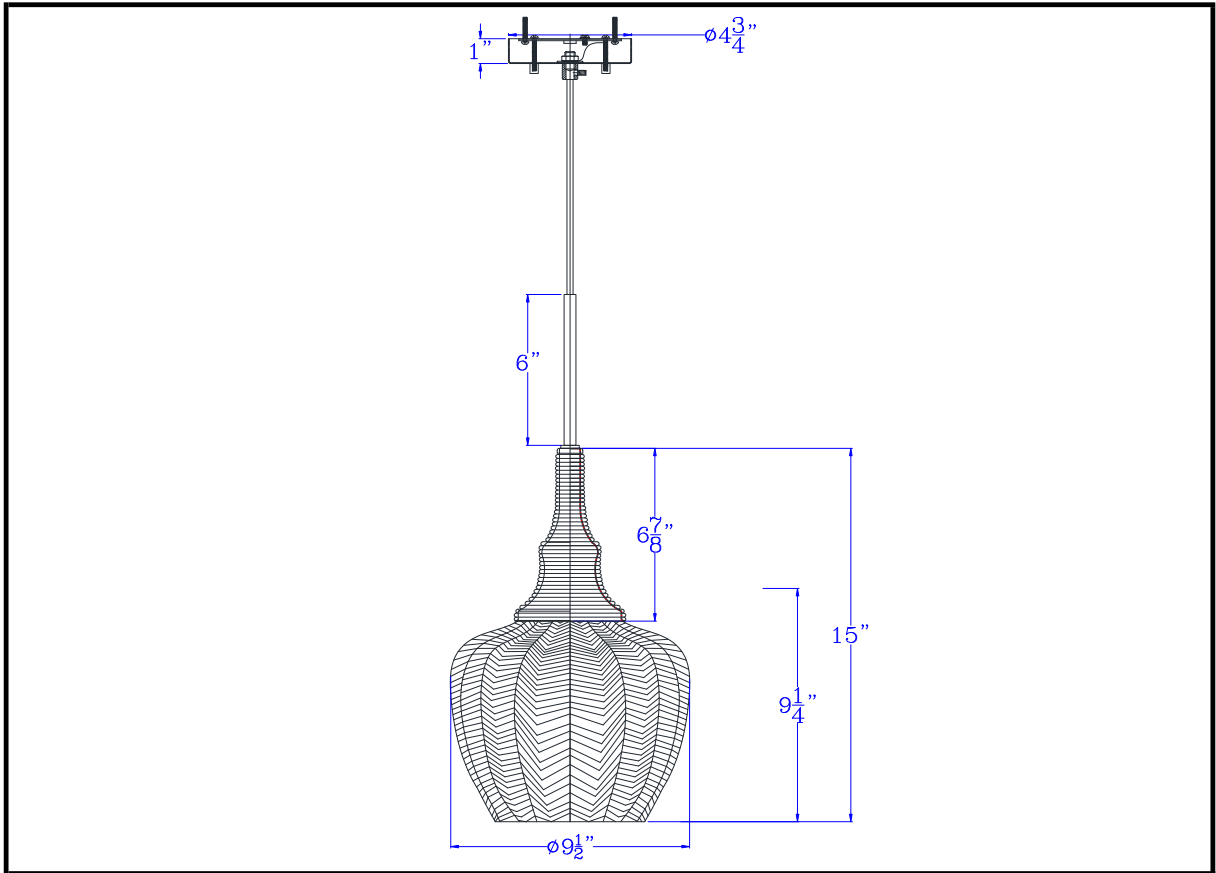


CAL LIGHTING

3625 E. Philadelphia St. Ontario CA. 91761. Tel: 909.947.5200. Fax:
909.947.5673. www.calighting.com. service@calighting.com.
Specifications subject to change without notice

Type: _____
Project: _____
Catalog No.: **FX-3805-1**
Lamp/Wattage: _____

Drawing:



Model No: FX-3805-1
Description: Monroe 60W glass pendant light with burlap roped font
Material: Metal
Finish : Burlap/Glass
Height: 21"
Width: 9 1/2"
Reach: 9 1/2"
Canopy: Dia. 4 3/4"
Wattage : 60W
Socket : Medium Base (E26)
Bulb: Incandescent
Wire Length: 6'
Wire Color: Black
Shade No:
Material: glass
Shade size: Dia. 9 1/2" H 9 1/4"

Certificate : 