



CAL LIGHTING

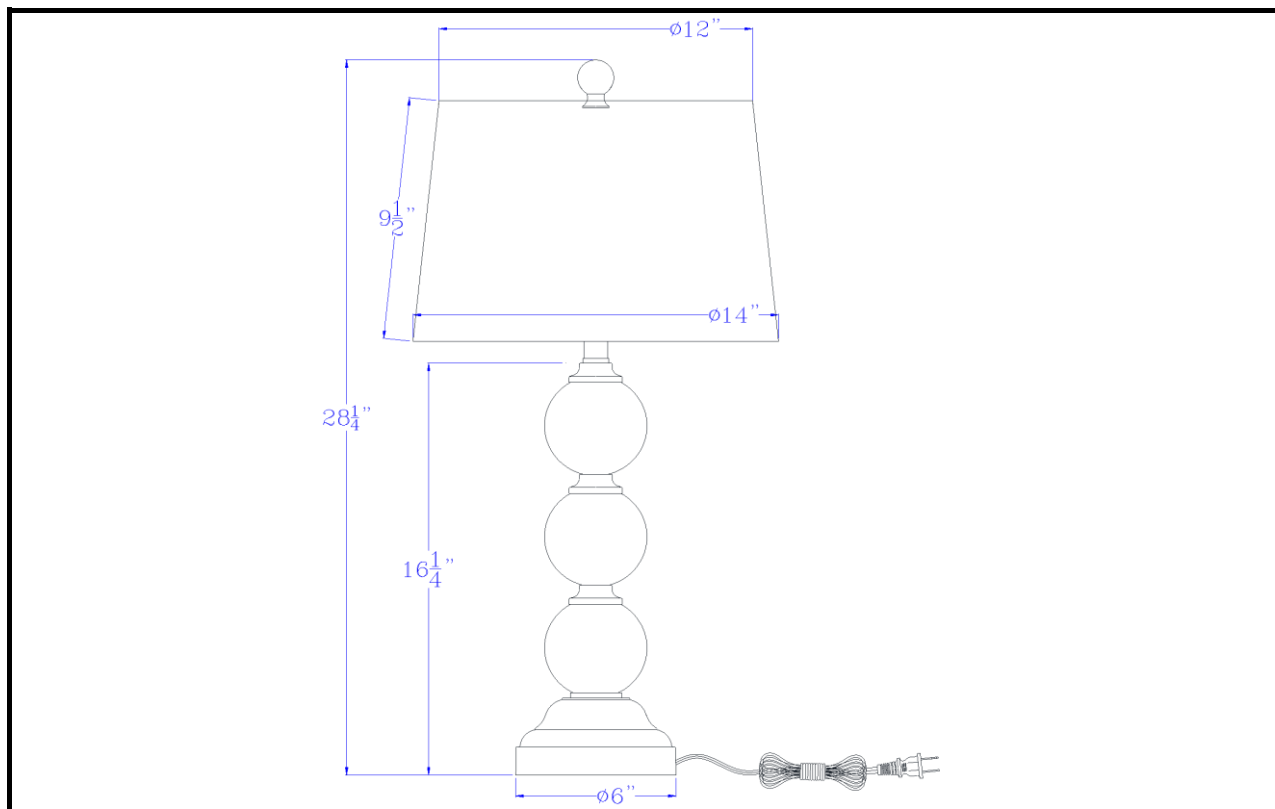
3625 E. Philadelphia St. Ontario CA. 91761. Tel: 909.947.5200. Fax: 909.947.5673. www.calighting.com. service@calighting.com.
Specifications subject to change without notice

Type: _____

Project: _____

Catalog No.: **BO-3152TB-2**

Lamp/Wattage: _____



- Model No:** BO-3152TB-2
Description: Grange resin/metal table lamp w/taper drum hardback fabric shade. Priced and sold as pairs
Material: Metal/Resin
Finish : Justic Oak/Brushed Steel
Height: 28 1/4"
Base Width: Dia.6"
Wattage : 100W
Socket : Medium Base (E26)
Switch: ON/OFF
Bulb: Incandescent
Wire Length: 6'
Wire Color: Silver
Shade No:
Material: Fabric
Shade size: Dia.12"X14"X9 1/2"
Certificate : 