



CAL LIGHTING

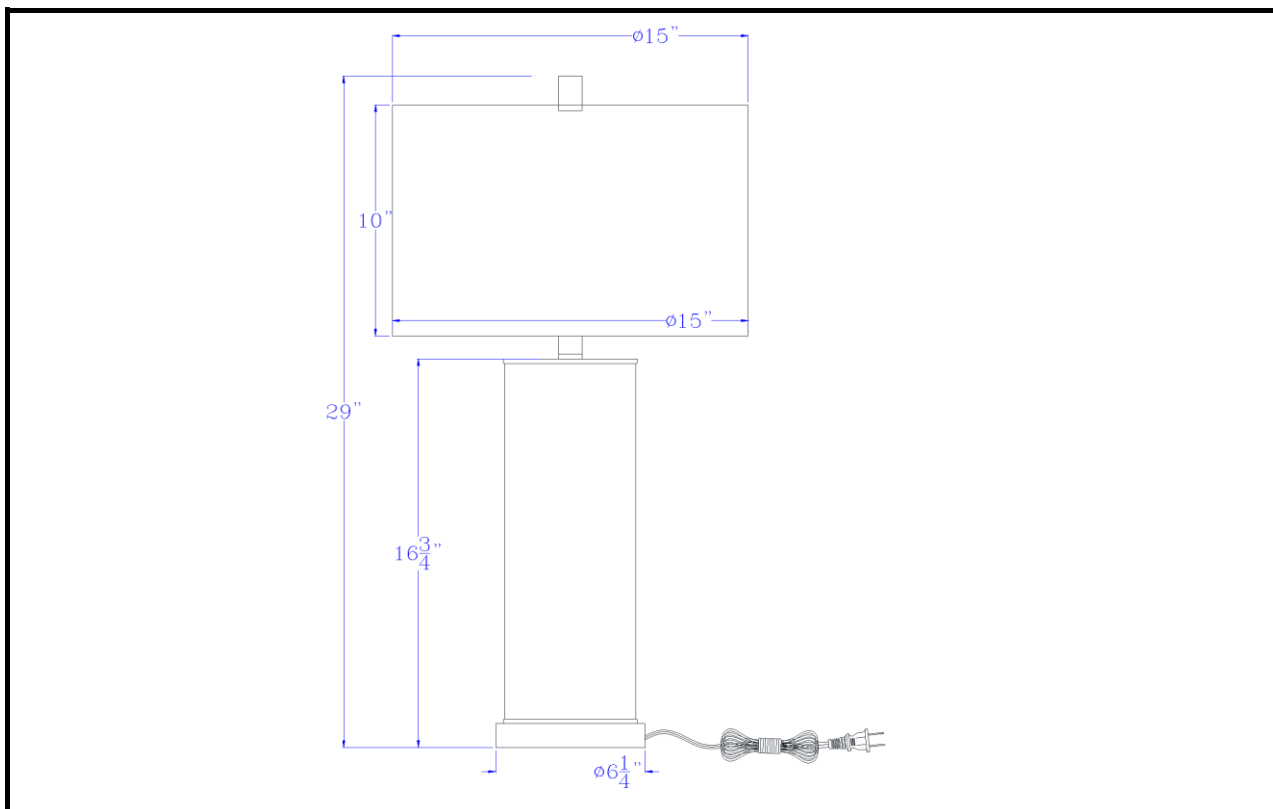
3625 E. Philadelphia St. Ontario CA. 91761. Tel: 909.947.5200. Fax: 909.947.5673. www.calighting.com. service@calighting.com.
Specifications subject to change without notice

Type: _____

Project: _____

Catalog No.: **BO-3150TB-2**

Lamp/Wattage: _____



- Model No:** BO-3150TB-2
- Description:** Hookerton glass table lamp with drum hardback fabric shade. Priced and sold as pairs
- Material:** Metal/Glass
- Finish :** Antique Brass
- Height:** 29"
- Base Width:** Dia.6 1/4"
- Wattage :** 150W
- Socket :** Medium Base (E26)
- Switch:** 3WAY
- Bulb:** Incandescent
- Wire Length:** 6'
- Wire Color:** Gold
- Shade No:**
- Material:** Fabric
- Shade size:** Dia.15"X15"X10"
- Certificate :** 