



CAL LIGHTING

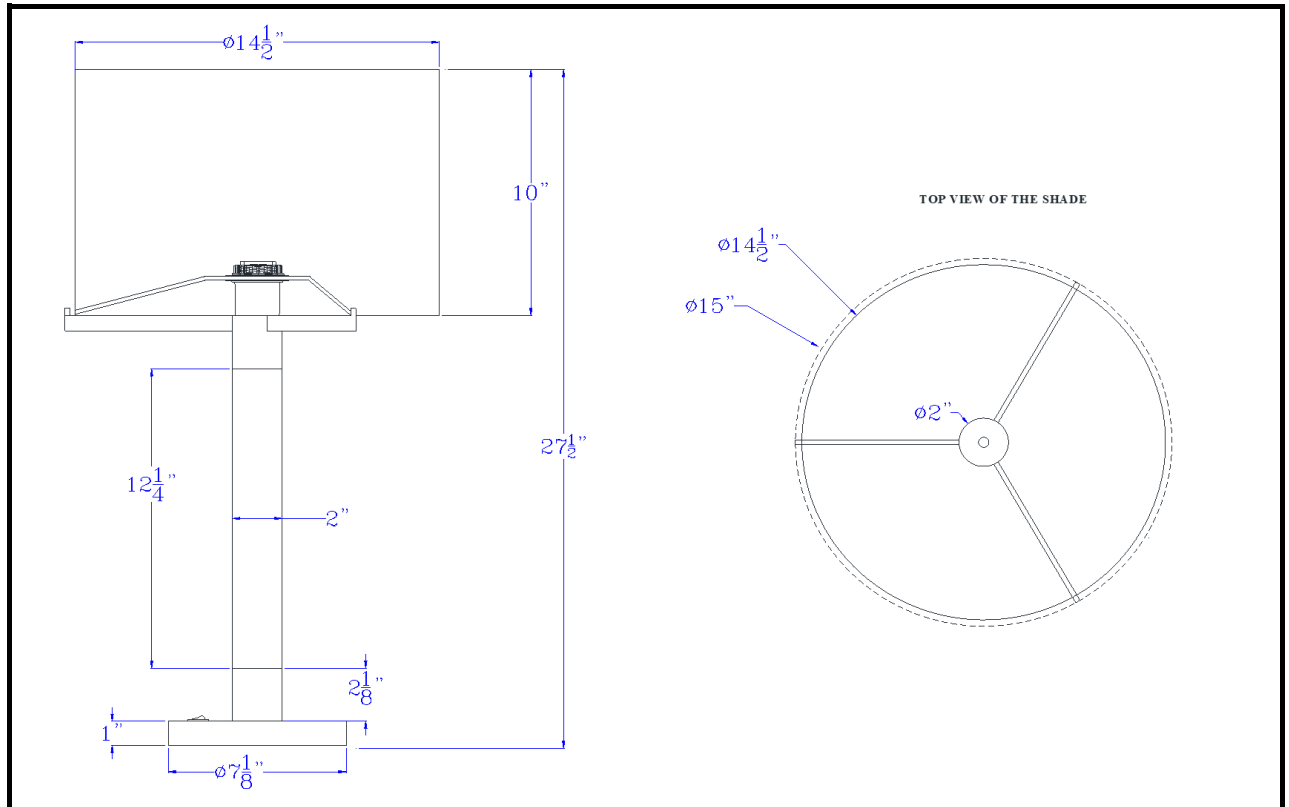
3625 E. Philadelphia St. Ontario CA. 91761. Tel: 909.947.5200. Fax: 909.947.5673. www.calighting.com. service@calighting.com.
Specifications subject to change without notice

Type: _____

Project: _____

Catalog No.: **BO-3148TB**

Lamp/Wattage: _____



- Model No:** BO-3148TB
- Description:** Goldston 100W metal table lamp with drum hardback fabric shade
- Material:** Metal
- Finish :** Antique Brass/Black
- Height:** 27 1/2"
- Base Width:** Dia. 7 1/8"
- Wattage :** 100W
- Socket :** Medium Base (E26)
- Switch:** ON/OFF
- Bulb:** Incandescent
- Wire Length:** 6'
- Wire Color:** Gold
- Shade No:**
- Material:** Fabric
- Shade size:** Dia.14 1/2"X14 1/2"X10"
- Certificate :** 