



# CAL LIGHTING

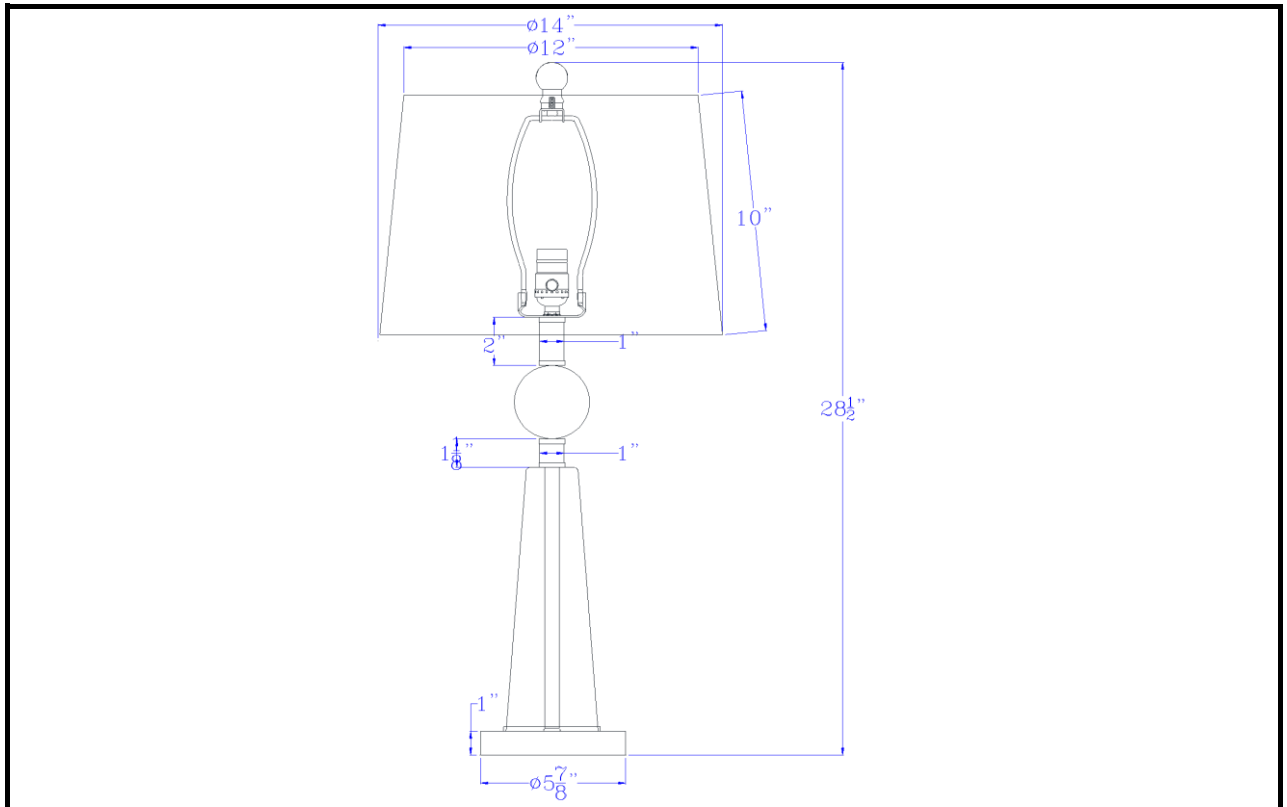
3625 E. Philadelphia St. Ontario CA. 91761. Tel: 909.947.5200. Fax: 909.947.5673. www.calighting.com. service@calighting.com.  
Specifications subject to change without notice

Type: \_\_\_\_\_

Project: \_\_\_\_\_

Catalog No.: **BO-3144TB-2**

Lamp/Wattage: \_\_\_\_\_



- Model No:** BO-3144TB-2  
**Description:** Almere glass table lamp with taper drum hardback fabric shade. Priced and sold as pairs  
**Material:** Glass/Metal  
**Finish :** Brushed Steel /Glass  
**Height:** 28 1/2"  
**Base Width:** Dia. 5 7/8"  
**Wattage :** 100W  
**Socket :** Medium Base (E26)  
**Switch:** ON/OFF  
**Bulb:** Incandescent  
**Wire Length:** 6'  
**Wire Color:** Silver  
**Shade No:**  
**Material:** Fabric  
**Shade size:** Dia.12"X14"X10"  
**Certificate :** 