



# CAL LIGHTING

3625 E. Philadelphia St. Ontario CA. 91761. Tel: 909.947.5200. Fax: 909.947.5673. www.calighting.com. service@calighting.com.  
Specifications subject to change without notice

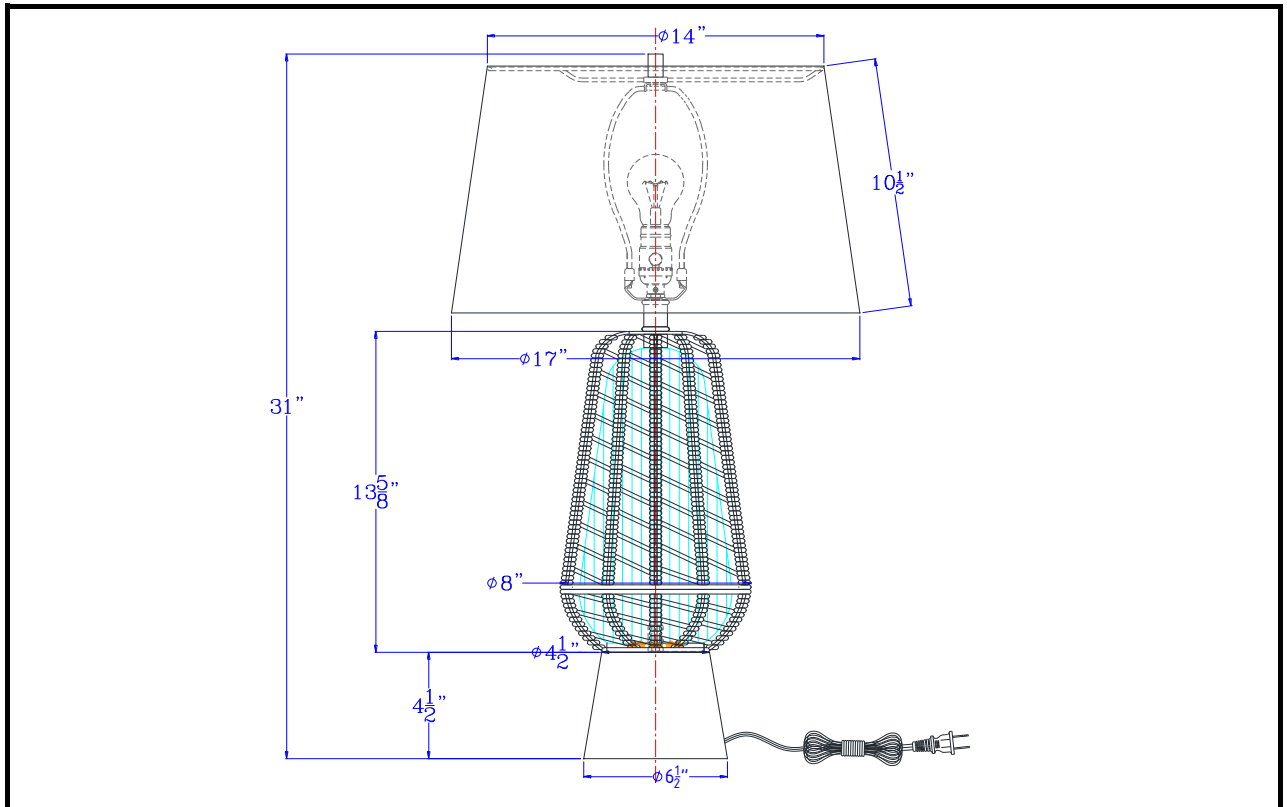
Type: \_\_\_\_\_

Project: \_\_\_\_\_

Catalog No.: \_\_\_\_\_

BO-3135TB

Lamp/Wattage: \_\_\_\_\_



- Model No:** BO-3135TB
- Description:** Hanko table lamp with 2W LED night light with burlap wrapped glass and metal base
- Material:** Metal/Rope
- Finish :** Burlap/charcoal grey
- Height:** 31"
- Base Width:** Dia.6 1/2"
- Wattage :** 100W+LED2W
- Socket :** Medium Base (E26)+LED
- Switch:** 3WAY
- Bulb:** Incandescent, LED
- Wire Length:** 6'
- Wire Color:** Black
- Shade No:**
- Material:** Fabric
- Shade size:** Dia.14"X17"X10 1/2"
- Certificate :** 