



CAL LIGHTING

3625 E. Philadelphia St. Ontario CA. 91761. Tel: 909.947.5200. Fax:
909.947.5673. www.calighting.com. service@calighting.com.
Specifications subject to change without notice

Type: _____

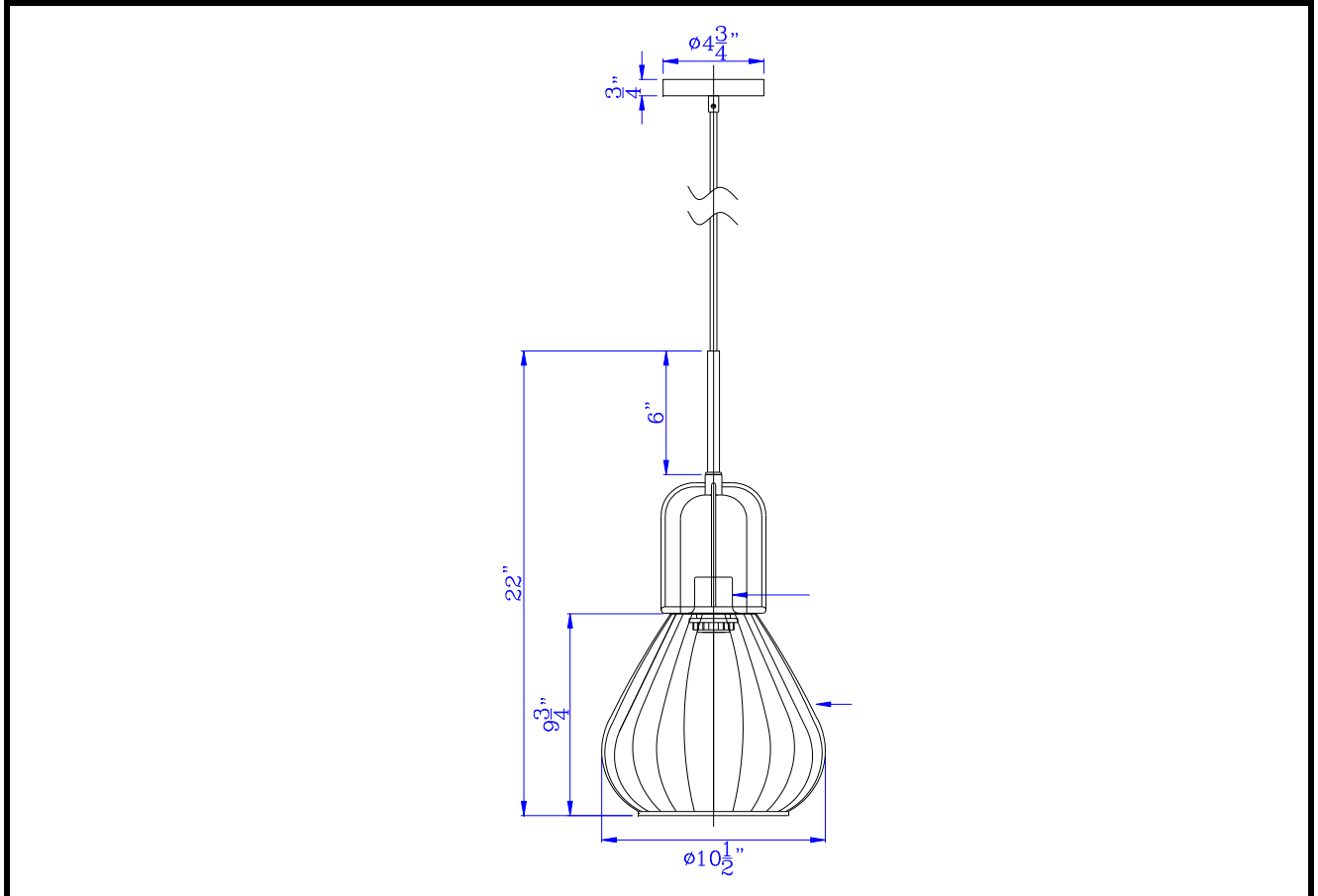
Project: _____

Catalog No.: _____

FX-3803-1

Lamp/Wattage: _____

Drawing:



Model No: FX-3803-1
Description: 60W Rochelle metal / rubber wood mini glass pendant
Material: Metal/Glass
Finish : Brushed Steel/Wood
Height: 22"
Width: 10 1/2"
Reach: 10 1/2"
Wattage : 60W
Canopy: Dia. 4 3/4"
Socket : Medium Base (E26)
Bulb: G type or A type
Wire Length: 6'
Wire Color: Black
Shade No:
Material: Metal
Shade size: Dia.10 1/2" H9 3/4"

Certificate :

