



CAL LIGHTING

3625 E. Philadelphia St. Ontario CA. 91761. Tel: 909.947.5200. Fax:
909.947.5673. www.calighting.com. service@calighting.com.
Specifications subject to change without notice

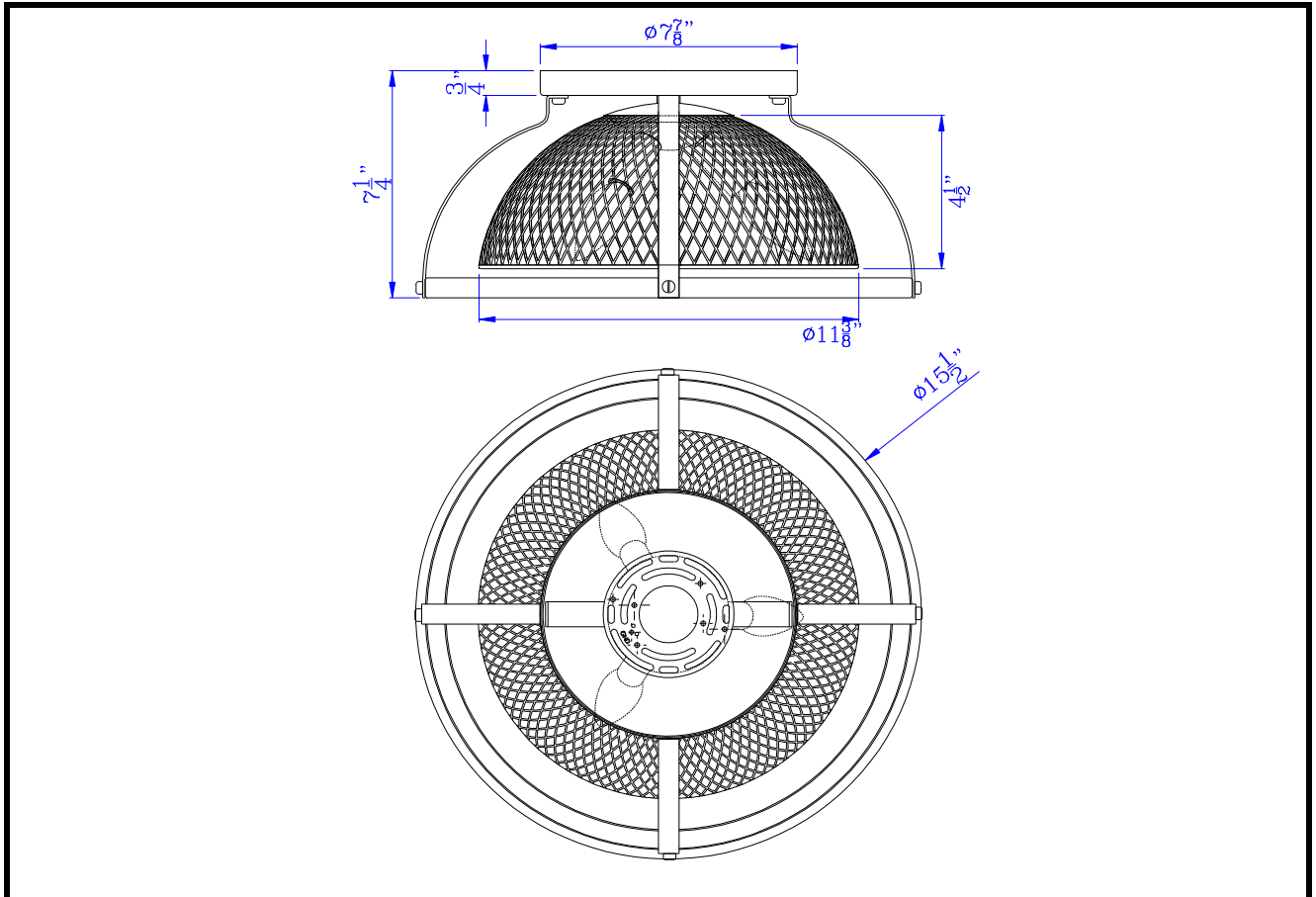
Type: _____

Project: _____

Catalog No.: **FX-3799-3**

Lamp/Wattage: _____

Drawing:



Model No: FX-3799-3
Description: 60W x 3 Longmont metal semi flush mount fixture
Material: Metal
Finish : Black/Wood
Height: 7 1/4"
Width: 15 1/2"
Reach: 15 1/2"
Canopy: Dia. 7 7/8"
Wattage : 60W X 3
Socket : Candelabra Base (E12)
Bulb: Incandescent
Wire Length: 8"
Chain Length:
Wire Color: Black/White
Shade No:
Material: Mesh
Shade size: Dia. 11 3/8" H 4 1/2"

Certificate :

