



CAL LIGHTING

3625 E. Philadelphia St. Ontario CA. 91761. Tel: 909.947.5200. Fax:
909.947.5673. www.calighting.com. service@calighting.com.
Specifications subject to change without notice

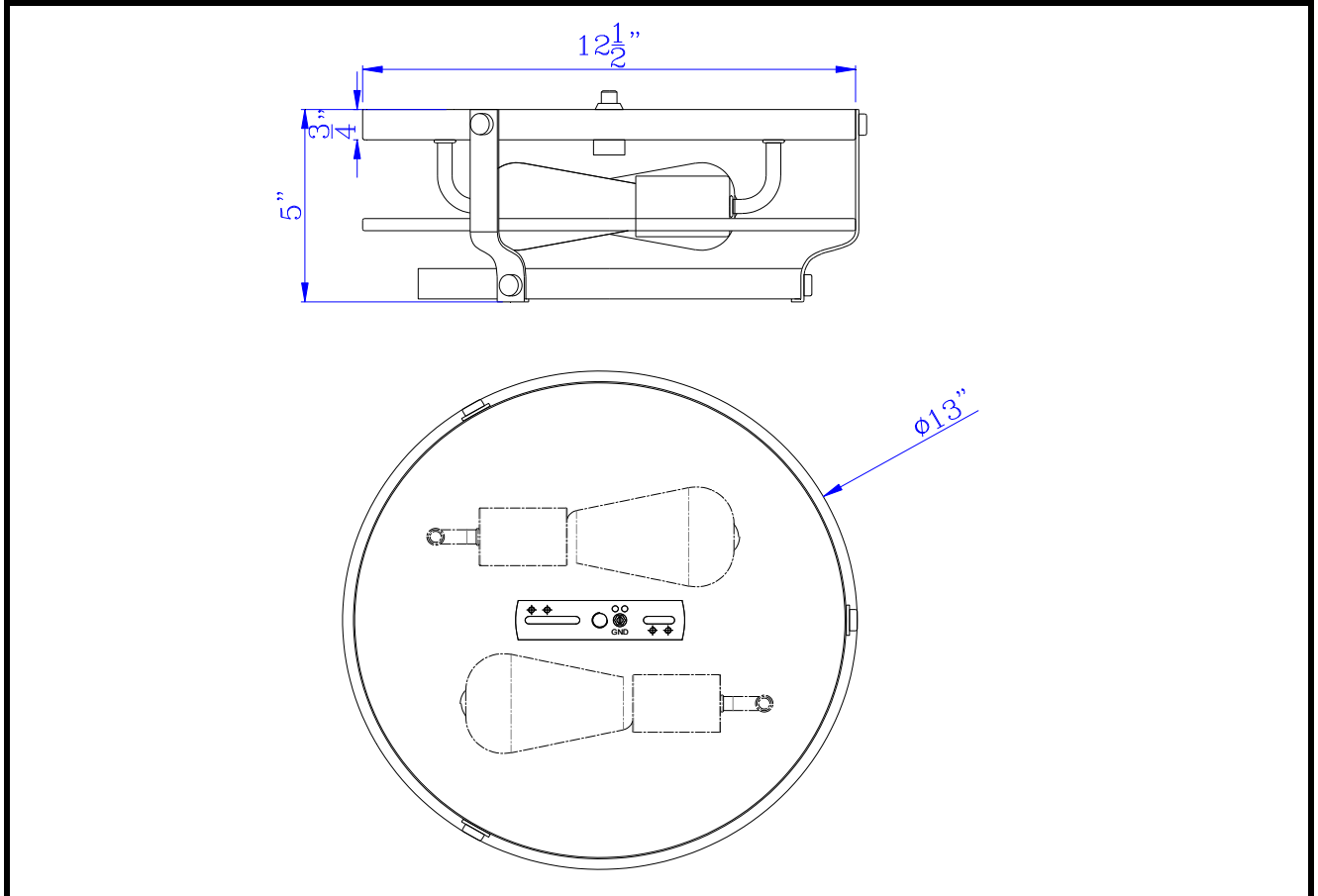
Type: _____

Project: _____

Catalog No.: **FX-3796-2**

Lamp/Wattage: _____

Drawing:



- Model No:** FX-3796-2
- Description:** 60W x 2 Clarita metal semi flush mount fixture
- Material:** Metal
- Finish :** Drifted wood/Black
- Height:** 5"
- Width:** 13"
- Reach:** 13"
- Canopy:** Dia.12 1/2"
- Wattage :** 60W X 2
- Socket :** Medium Base (E26)
- Bulb:** Incandescent
- Wire Length:** 8"
- Chain Length:**
- Wire Color:** Black/White
- Shade No:**
- Material:**
- Shade size:**

Certificate :

