



# CAL LIGHTING

3625 E. Philadelphia St. Ontario CA. 91761. Tel: 909.947.5200. Fax: 909.947.5673. www.calighting.com. service@calighting.com.  
Specifications subject to change without notice

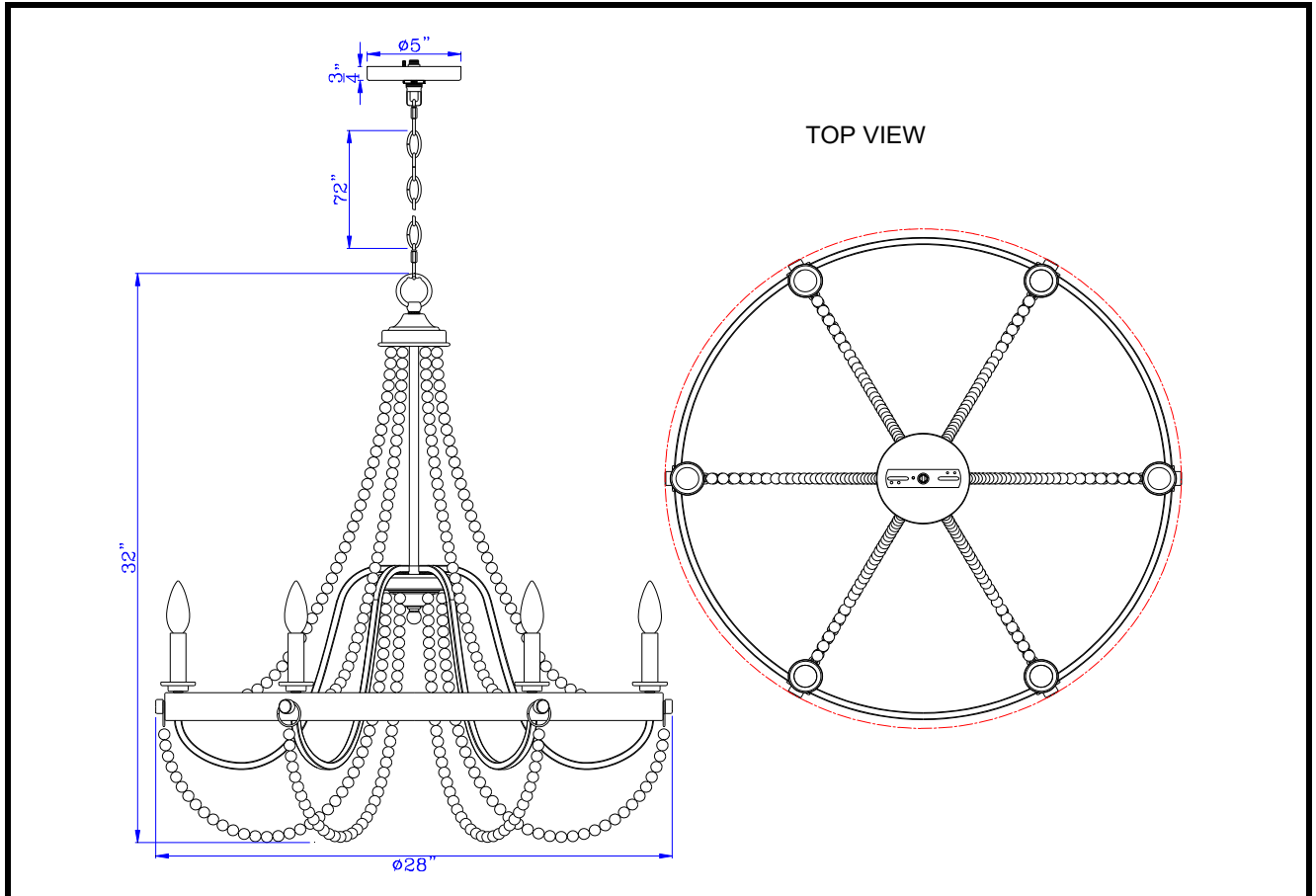
Type: \_\_\_\_\_

Project: \_\_\_\_\_

Catalog No.: **FX-3790-6**

Lamp/Wattage: \_\_\_\_\_

## Drawing:



- Model No:** FX-3790-6
- Description:** 60W x 6 Macon beaded metal chandelier
- Material:** Metal
- Finish :** Drifted wood/Antique Silver
- Height:** 32"
- Width:** 28"
- Reach:** 28"
- Canopy:** Dia.5"
- Wattage :** 60W X 6
- Socket :** Candelabra Base (E12)
- Bulb:** Incandescent
- Wire Length:** 10'
- Chain Length:** 6'
- Wire Color:** Silver
- Shade No:**
- Material:**
- Shade size:**

Certificate :

