



CAL LIGHTING

3625 E. Philadelphia St. Ontario CA. 91761. Tel: 909.947.5200. Fax:
909.947.5673. www.calighting.com. service@calighting.com.
Specifications subject to change without notice

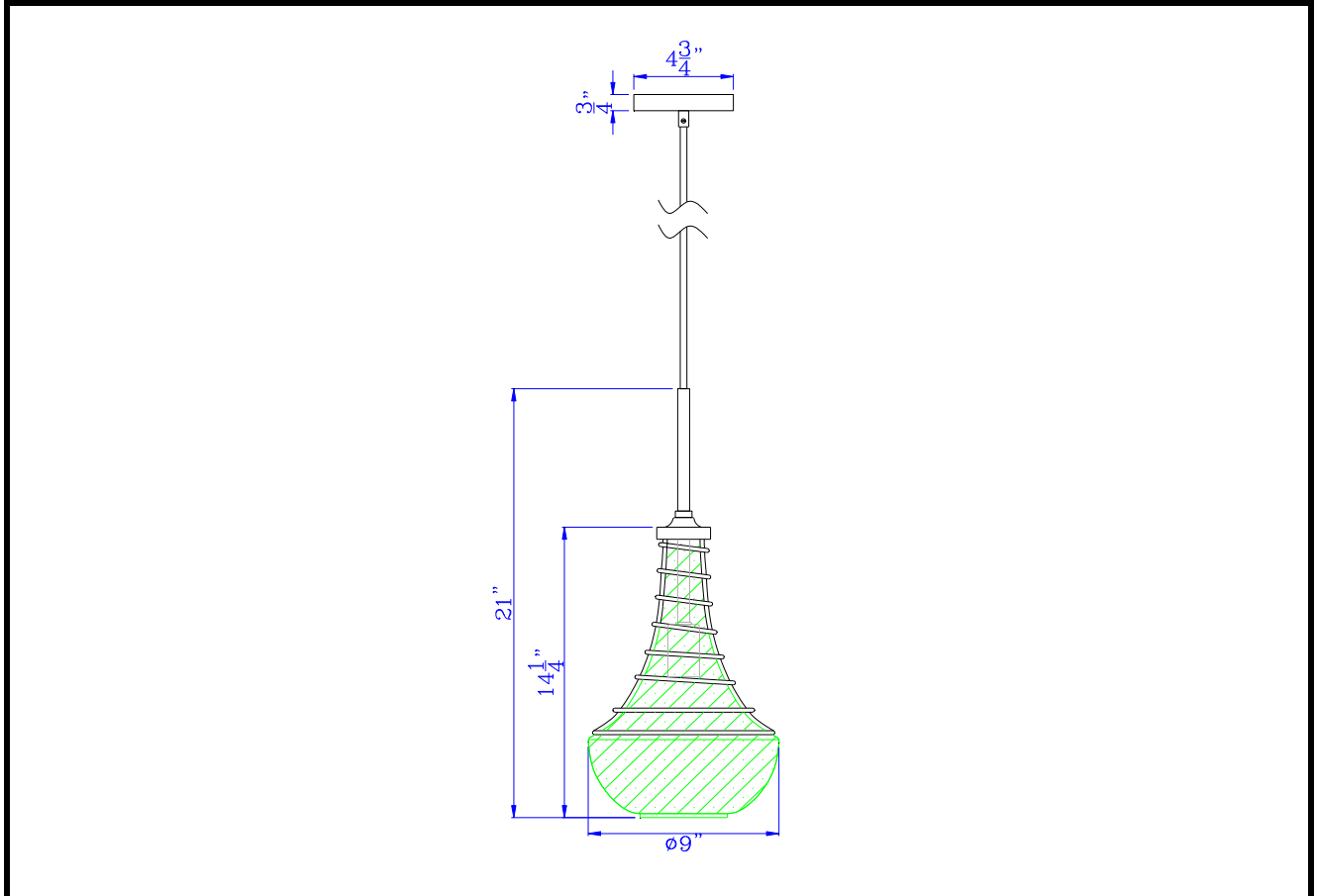
Type: _____

Project: _____

Catalog No.: **FX-3130-1**

Lamp/Wattage: _____

Drawing:



Model No: FX-3130-1
Description: 60W Baraboo metal/glass mini pendant
Material: Glass/Metal
Finish : Brushed Steel/Silver
Height: 21"
Width: 9"
Reach: 9"
Canopy: Dia. 4 3/4"
Wattage : 60W
Socket : Medium Base (E26)
Bulb: A type
Wire Length: 6'
Wire Color: Black
Shade No:
Material: Metal
Shade size: Dia.9" H14 1/4"

Certificate :

