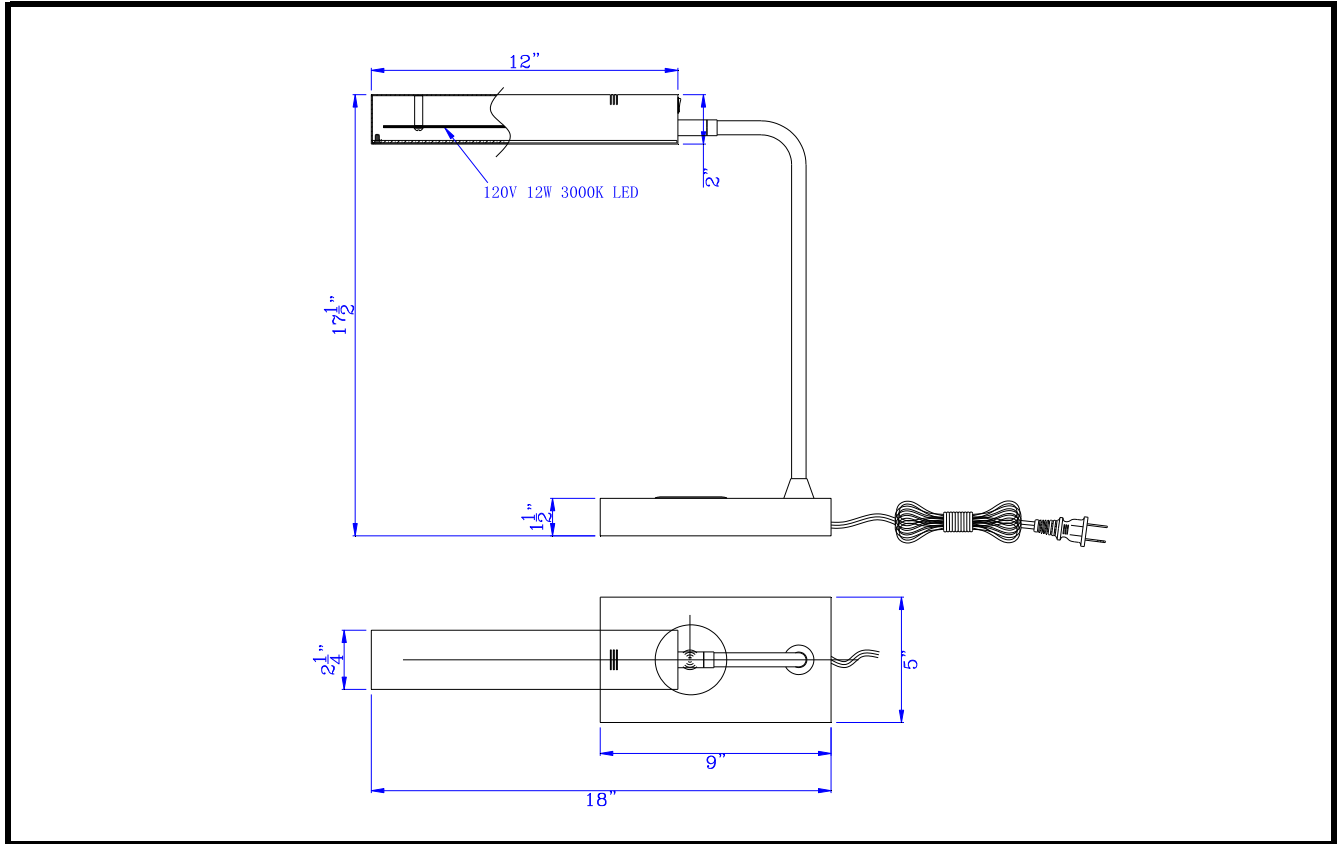




CAL LIGHTING

3625 E. Philadelphia St. Ontario CA. 91761. Tel: 909.947.5200. Fax: 909.947.5673. www.calighting.com. service@calighting.com.
Specifications subject to change without notice

Type: _____
Project: _____
Catalog No.: **BO-3133TB-AB**
Lamp/Wattage: _____



- Model No:** BO-3133TB-AB
- Description:** Delray 12W intergrated LED metal desk lamp with wireless charging port
- Material:** Metal
- Finish :** Antique Brass
- Height:** 17 1/2"
- Base Width:** 9"X5"
- Wattage :** 12W
- Socket :** Medium Base (E26)
- Switch:** On/OFF
- Bulb:** LED
- Wire Length:** 6'
- Wire Color:** Gold
- Shade No:**
- Material:** Metal
- Shade size:** 12" X 2 1/4" X 2"

Certificate : 