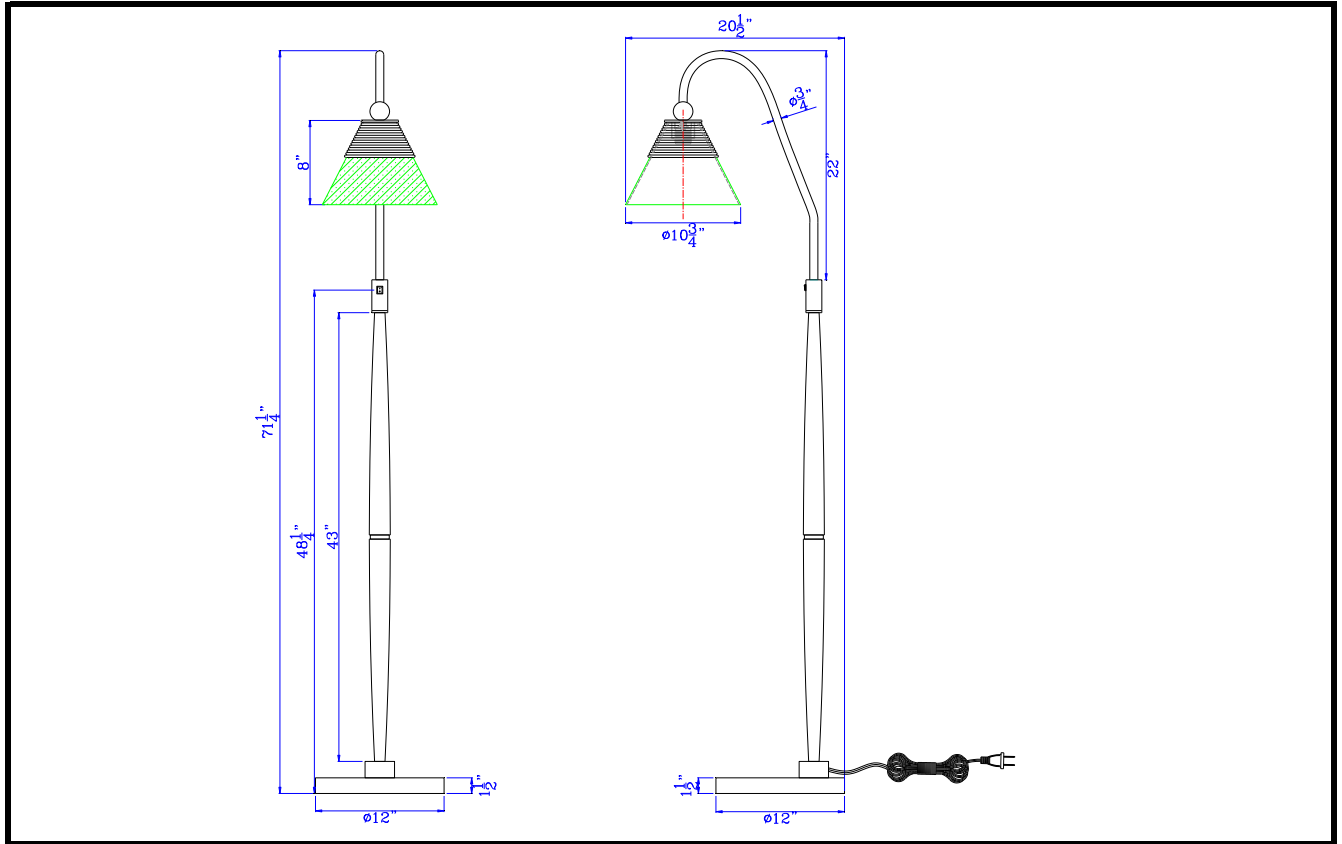




# CAL LIGHTING

3625 E. Philadelphia St. Ontario CA. 91761. Tel: 909.947.5200. Fax: 909.947.5673. www.calighting.com. service@calighting.com.  
Specifications subject to change without notice

Type: \_\_\_\_\_  
Project: \_\_\_\_\_  
Catalog No.: **BO-3128FL**  
Lamp/Wattage: \_\_\_\_\_



- Model No:** BO-3128FL
- Description:** 60W Hinton downbridge metal floor lamp with faux wood pole and glass shade
- Material:** Metal
- Finish :** Oak/Charcoal Grey
- Height:** 71 1/4"
- Base Width:** Dia.12"
- Wattage :** 60W
- Socket :** Medium Base (E26)
- Switch:** On/off
- Bulb:** Incandescent
- Wire Length:** 6'
- Wire Color:** Black
- Shade No:**
- Material:** Glass
- Shade size:** Dia.10 3/4" H8"

**Certificate :**  US