



CAL LIGHTING

3625 E. Philadelphia St. Ontario CA. 91761. Tel: 909.947.5200. Fax:
909.947.5673. www.calighting.com. service@calighting.com.
Specifications subject to change without notice

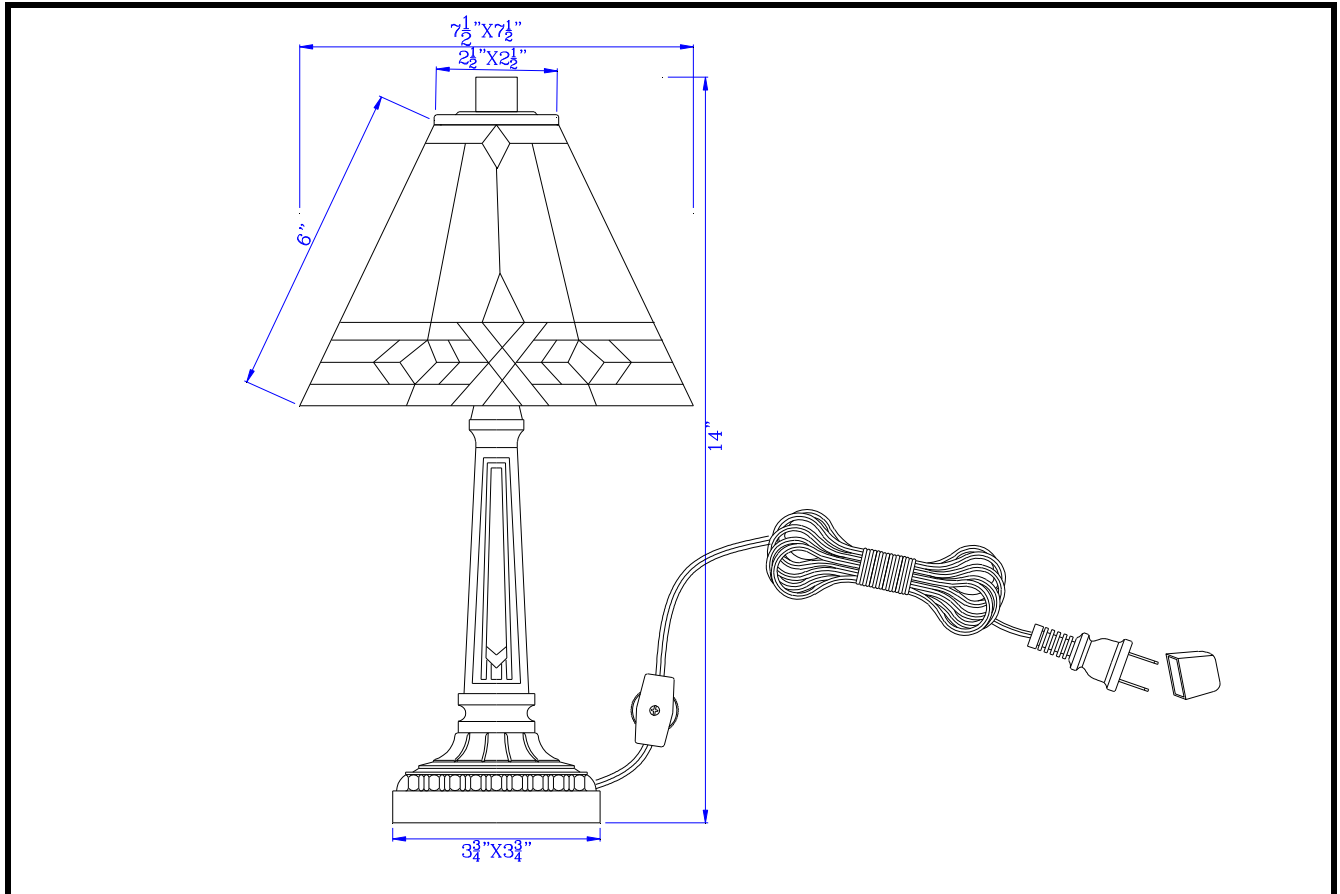
Type: _____

Project: _____

Catalog No.: _____

BO-3115AC

Lamp/Wattage: _____



- Model No:** BO-3115AC
Description: 40W metal/resin Tiffany accent lamp with inline switch
Material: Resin
Finish : Dark Bronze
Height: 14"
Base Width: 3 3/4" X 3 3/4"
Wattage : 40W
Socket : Candelabra Base (E12)
Switch: ON/Off In-line
Bulb: Incandescent
Wire Length: 6'
Wire Color: Brown
Shade No:
Material: Tiffany
Shade size: 2 1/2" X 2 1/2" X 7 1/2" X 7 1/2" X 6"

Certificate :  c UL us