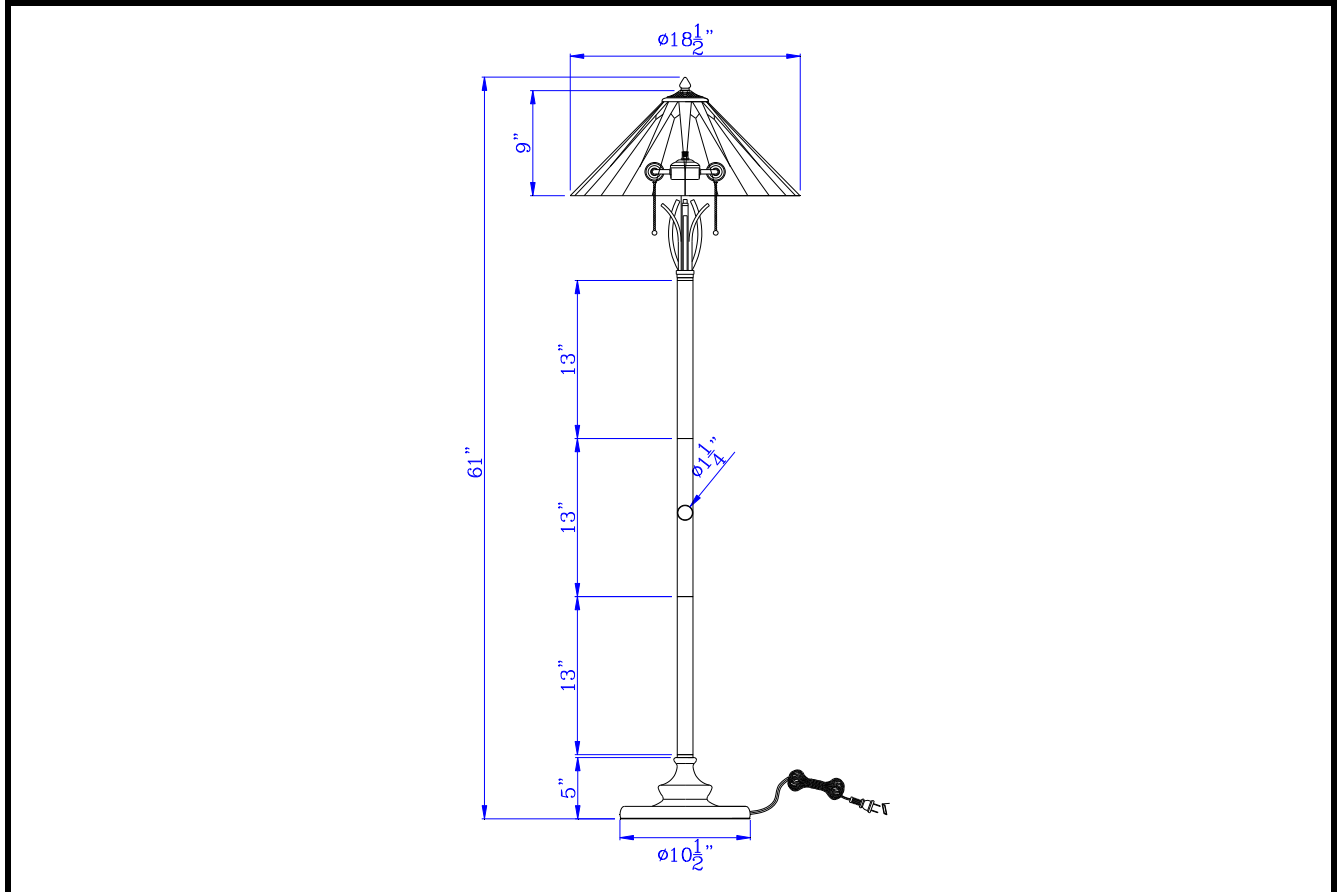




CAL LIGHTING

3625 E. Philadelphia St. Ontario CA. 91761. Tel: 909.947.5200. Fax:
909.947.5673. www.calighting.com. service@calighting.com.
Specifications subject to change without notice

Type: _____
Project: _____
Catalog No.: **BO-3105FL**
Lamp/Wattage: _____



- Model No:** BO-3105FL
Description: 60W x 2 metal/resin Tiffany table lamp with pull chain switches
Material: Resin
Finish : Black
Height: 61"
Base Width: Dia. 10 1/2"
Wattage : 60W X 2
Socket : Medium Base (E26)
Switch: ON/Off
Bulb: Incandescent
Wire Length: 6'
Wire Color: Black
Shade No:
Material: Tiffany
Shade size: Dia. 18 1/2" H9"
Certificate : 